

# wilo Pump Data Sheet

Sheet No.	
Customer	
Item No.	
Date	2017-03-28

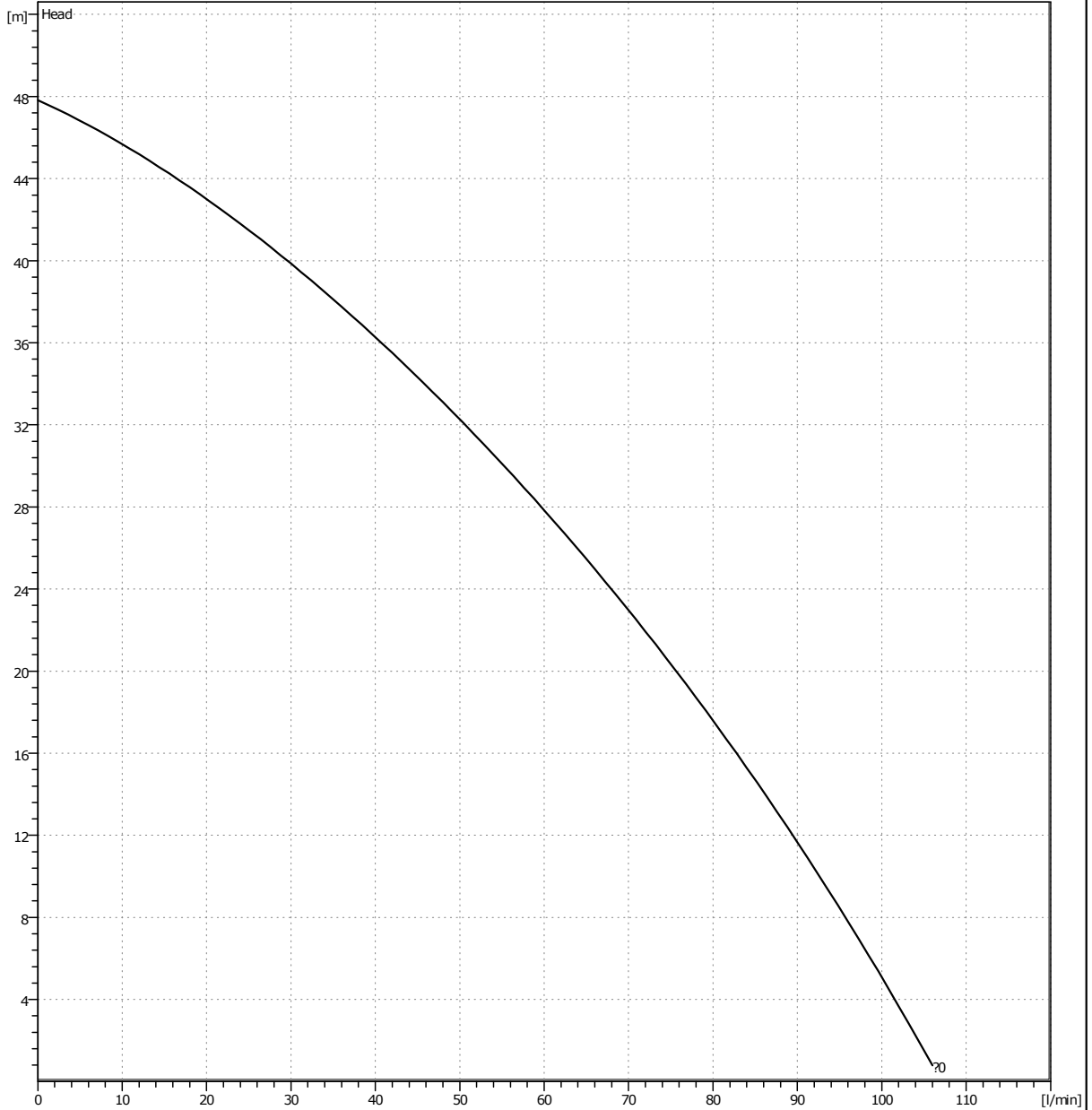
1	<b>Model</b>	PBI-203MA		Title	
2	Location			Agent	
3	Service			Plant Name	
4	Quantity	Set(s)	Installation	<input checked="" type="checkbox"/> Indoor	<input type="checkbox"/> Outdoor
5	<b>OPERATING CONDITION</b>				
6	Liquid	Water		Capacity	33 lpm
7	Pumping Temp.	0~40		Suct. Head	0 m
8	S.G	1		Disch. Head	35 m
9	Vap. Pressure	1kg/cm2A		Total head	35 m
10	Viscosity	1 cp			
11	<b>PERFORMANCE AND CONSTRUCTIONS</b>			<b>MATERIAL</b>	
12	Horizontal	Efficiency	%		Parts' Name
13	No. of Stages	3	Rated Power	0.75KW	
14	Speed	3450rpm	NPSHre	Shaft	STS316L
15	Rotation	CCW (view from drive end)		Casing	STS304
16	<b>Bore</b>	Size(Dia)	Rating	Face	Position
17	Suction	25 mm			Side
18	Discharge	25 mm			Top
19	Impeller Type	Closed	Single suction		<b>HYDROSTATIC</b>
20	Flow Direction	Radial		Casing	10 kgf/cm2
21	Shaft Seal	M/Seal	Shaft Sleeve	No	Pressure Tank
22	Mounting	Foot		<b>TESTING</b>	
23	Lubrication	<input checked="" type="checkbox"/> Grease	<input type="checkbox"/> Oil Bath		Items
24	Cooling	<input type="checkbox"/> Stuff.Box	<input type="checkbox"/> B/R Housing	<input checked="" type="checkbox"/> No Cooling	Run Perform.
25	Pump Side	6302zz	Fan Side	6202zz	Hydrostatic
26	<b>DRIVER SPECIFICATION</b>			<b>SPARE PARTS</b>	
27	Maker	WILO	Phase / V / Hz	1 ~ 220V ~ 60Hz	
28	Type	Induction Motor	Motor Frame No.		
29	Power	0.75KW	Furnished by	<input checked="" type="checkbox"/> WILO	<input type="checkbox"/> Customer
30	Pole & Speed	2p 3450rpm	Mounted by	<input checked="" type="checkbox"/> WILO	<input type="checkbox"/> Customer
31	Insulation	F	Protection	IP X4	
32	<b>ACCESSORIES( <input checked="" type="checkbox"/>Supplied : WILO)</b>				
33	<input type="checkbox"/> Common Base				
34	<input type="checkbox"/> Foundation Bolts & Nuts				
35	<input type="checkbox"/> Coupling	No	<input type="checkbox"/> Coupling Guard		
36	<input type="checkbox"/> Pressure Gauge				
37	<input type="checkbox"/> Collar or Plug for Drain & Air vent.				
38	<input type="checkbox"/> Seal Flushing				
39	M/Seal	Maker	Burgmann	Model & Size	14
40		Type	MG1/14-G606	Cooler	<input type="checkbox"/> Yes <input checked="" type="checkbox"/> No
41					
42	<input type="checkbox"/> Companion Flanges			<b>Weight</b>	
43	<input type="checkbox"/> Special Tool				
44					
45				Total Wt.	10.5 kg

# Estimated Performance Curve

Sheet No.	
Customer	
Item No.	
Date	2017-03-28

## SPECIFICATION

<b>PUMP</b>	Capacity	33 lpm at	m	<b>MOTOR</b>	OUTPUT	0.75KW
	Total Head	35	m		VOLTAGE	220V
	SUCTION BORE	25	mm		FREQUENCY	60 Hz
	DISCHARGE BORE	25	mm		SPEED	3450 1/min
	LIQUID	WATER			TYPE	Induction Motor
	MAKER	WILO			MAKER	WILO



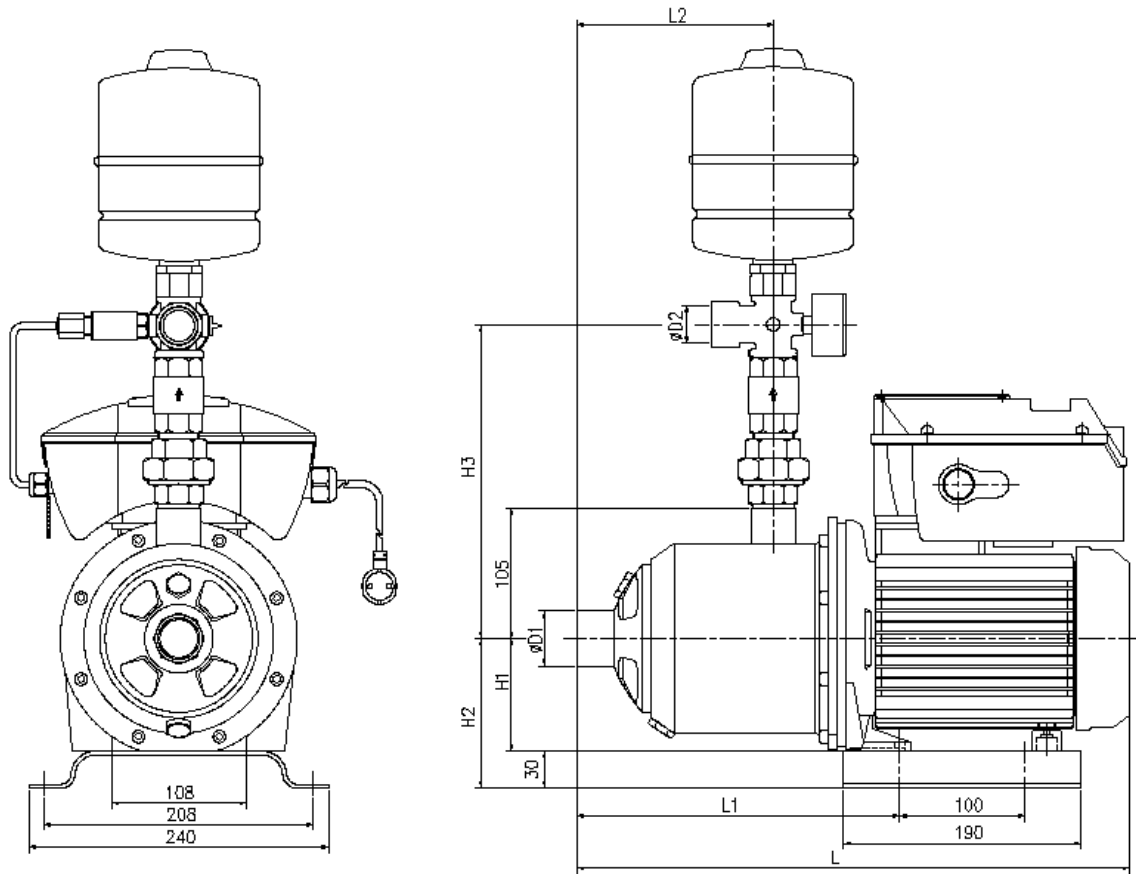
\*Performance curve of some models is subject to have 10% deviation.

\*Subject to change without prior notice.

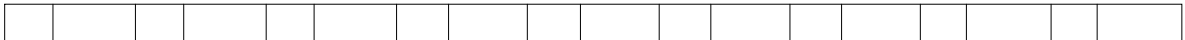
TYPE	Multi Stage Horizontal
MODEL	PBI-203MA
SERVICE	

# Outline Drawing

Sheet No.	
Customer	
Item No.	
Date	2017-03-28



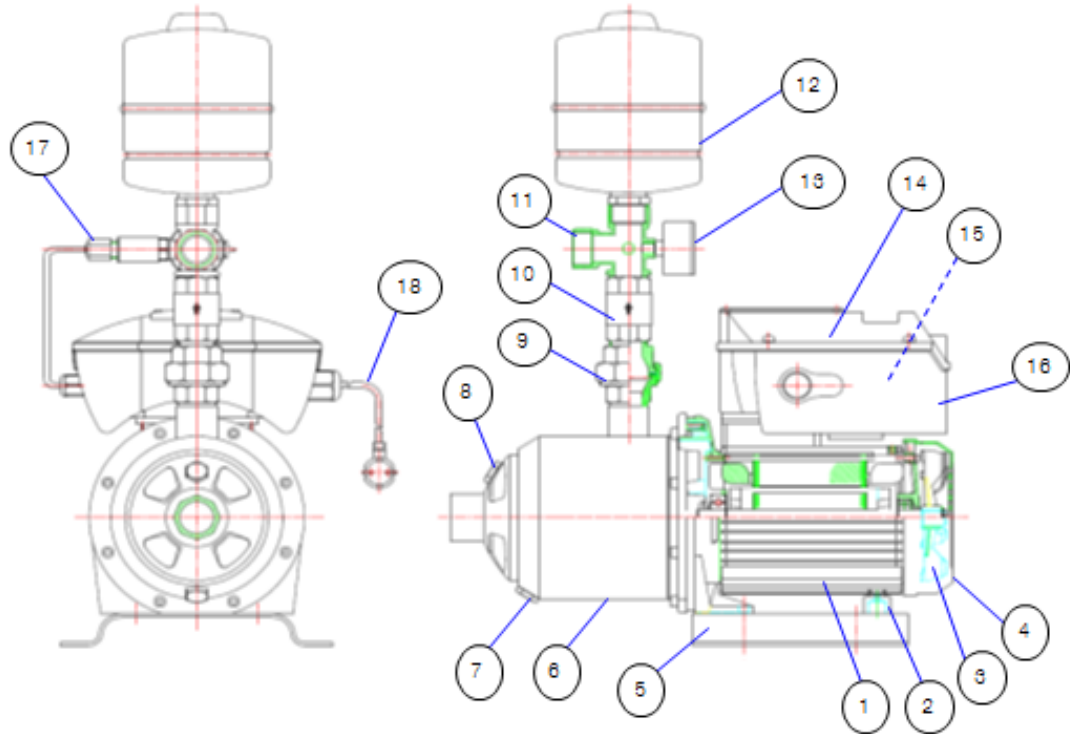
모델명	Dimension(mm)									중량 (kg)
	H	H1	H2	H3	L	L1	L2	ØD1	ØD2	
PBI-203MA	610	90	120	380	385	185	109.5	1"	1"	13
PBI-205MA	610	90	120	380	430	235	157.5	1"	1"	15
PBI-402MA	610	90	120	380	385	185	109.5	1 1/4"	1"	14
PBI-403MA	610	90	120	380	385	185	109.5	1 1/4"	1"	17
PBI-404MA	610	90	120	380	425	225	157.5	1 1/4"	1"	17
PBI-405MA	610	90	120	380	425	225	157.5	1 1/4"	1"	18
PBI-802MA	630	90	120	385	390	190	121.5	1 1/2"	1 1/4"	18
PBI-803MA	630	90	120	385	390	190	121.5	1 1/2"	1 1/4"	19



TYPE	Muiti Stage Horizontal
MODEL	PBI-203MA
SERVICE	

# Sectional Drawing

Sheet No.	
Customer	
Item No.	
Date	2017-03-28



Cls.	Part Name	Specification	Quantity	Remarks
1	Motor Assembly	3phase 220V 60Hz	1	
2	Motor Supporter	ABS(HI-100)	1	
3	Fan	PBT(GP-2200)	1	
4	Fan Cover	SCP or ABS(HI-100)	1	
5	Base Plate	SCP	1	
6	Casing	STS304	1	
7	Drain Plug	STS316L	1	
8	Priming Plug	STS316L	1	
9	Union Assembly	Brass or STS304	1	
10	Check Valve	STS304	1	
11	Cross Nipple	Brass or STS304	1	
12	Pressure Tank	SCP/Rubber	1	
13	Pressure Gauge	16bar	1	
14	Inverter Cover	ABS(AF-305F)	1	
15	Inverter Assembly	-	1	
16	Inverter Base	ABS(AF-305F)	1	
17	Transmitter	16bar	1	
18	Power Cord	PNCT 3C	1	

TYPE	Muiti Stage Horizontal
MODEL	PBI-203MA
SERVICE	