

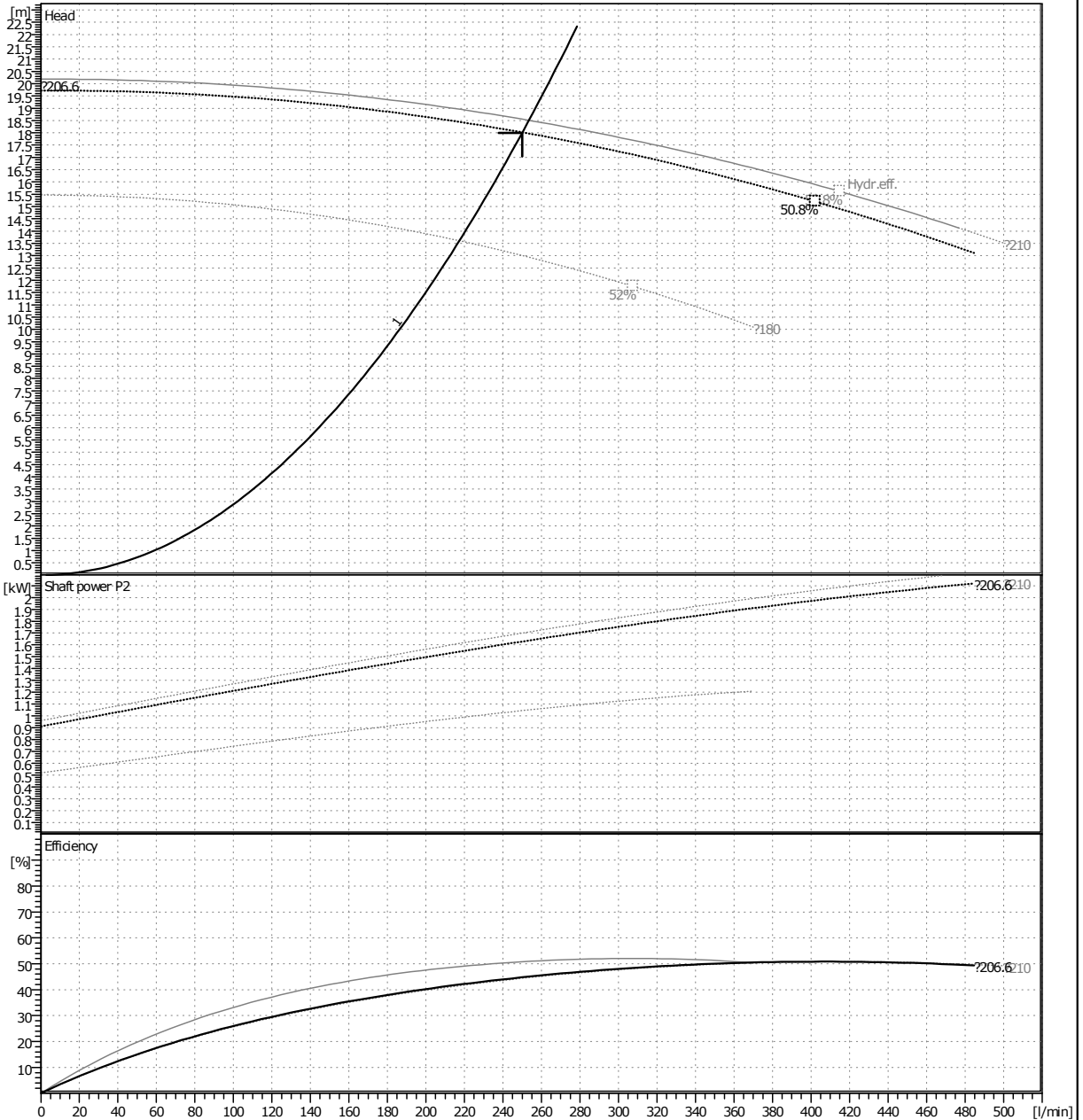
<b>wilo Pump Data Sheet</b>						Sheet No.	
						Customer	
						Item No.	
						Date	2017-03-23
1	<b>MODEL</b>	PSV-5040C_IE2		Title			
2	Location			Agent			
3	Service			Plant Name			
4	Quantity	Set(s)		Installation	<input checked="" type="checkbox"/> Indoor <input type="checkbox"/> Outdoor		
5	<b>OPERATING CONDITION</b>						
6	Liquid	Water		Flow	250 l/min		
7	Pumping Temp.	Ambient		Suc. Pressure			
8	S.G.	1		Dis. Pressure			
9	Vap. Pressure	0.03kg/cm2A at 24?		Diff. Pressure			
10	Viscosity	1 cP		Total Head	18 m		
11	<b>PERFORMANCE AND CONSTRUCTION</b>					<b>MATERIAL</b>	
12	Horizontal		Efficiency	44.8 %	Part Name	Symbol	
13	No. of Stages	1	Rated Power	1.63 kW	Casing&Cover	GC200	
14	Speed	1750 rpm	NPSHre		Casing Ring	GC200	
15	Rotation	CW (view from drive end)			Impeller	GC200	
16	<b>BORE</b>	Size(Dia)	Rating	Face	Position	Shaft	SM45C
17	Suction	50 mm	10kgf/cm2	RF	End	Sleeve	STS304
18	Discharge	40 mm	10kgf/cm2	RF	Top	B/R Housing	GC200
19	Impeller Type	Closed	Single Stage Volute		<b>HYDROSTATIC</b>		
20	Flow Direction	Radial		Casing		3 min	
21	Shaft Seal	M/Seal	Shaft Sleeve	Yes	Jacket		3 min
22	Mounting	Foot			<b>TESTING</b>		
23	Lubrication	<input checked="" type="checkbox"/> Grease <input type="checkbox"/> Oil Bath		Items		Witness	
24	Cooling	<input type="checkbox"/> Stuff.Box <input type="checkbox"/> B/R Housing <input checked="" type="checkbox"/> No Cooling		Run Perform.	<input checked="" type="checkbox"/> Yes <input type="checkbox"/> No	<input type="checkbox"/> Yes <input checked="" type="checkbox"/> No	
25	Radial Bearing	6305zzC3	Thrust Bearing	6306zzC3	Hydrostatic(Air Press.)	<input checked="" type="checkbox"/> Yes <input type="checkbox"/> No	<input type="checkbox"/> Yes <input checked="" type="checkbox"/> No
26	<b>MOTOR SPECIFICATION</b>					<b>SPARE PART</b>	
27	Maker	HIGEN	Phase / V / Hz	3~ <input checked="" type="checkbox"/> 220/380V <input type="checkbox"/> ~60 Hz		Set(s)	
28	Type	TEFC	Motor Frame No.	100 L		Set(s)	
29	Power	2.2 kW	Furnished by	<input checked="" type="checkbox"/> WILO <input type="checkbox"/> Customer		Set(s)	
30	No. of Pole	4 P	Mounted by	<input checked="" type="checkbox"/> WILO <input type="checkbox"/> Customer		Set(s)	
31	Insulation	<input checked="" type="checkbox"/> F <input type="checkbox"/>	Enclosure	<input checked="" type="checkbox"/> IP 54 <input type="checkbox"/>		Set(s)	
32	<b>ACCESSORY(<input checked="" type="checkbox"/>Supplied : WILO)</b>					Set(s)	
33	<input checked="" type="checkbox"/> Common Base	Steel Channel				Set(s)	
34	<input type="checkbox"/> Foundation Bolts & Nuts					Set(s)	
35	<input checked="" type="checkbox"/> Coupling	<input checked="" type="checkbox"/> Flange <input type="checkbox"/>	<input checked="" type="checkbox"/> Coupling Guard			Set(s)	
36	<input type="checkbox"/> Pressure Guage					Set(s)	
37	<input type="checkbox"/> Plug for Drain & Air vent.					Set(s)	
38	<input type="checkbox"/> Seal Flushing					Set(s)	
39	M/Seal	Maker	KSM	Model & Size	S1A /35	Set(s)	
40		Type	Unbalanced	Cooler	<input type="checkbox"/> Yes <input checked="" type="checkbox"/> No	Set(s)	
41		API 610 Plan				<b>WEIGHT</b>	
42		Material Code	Ceramic/Carbon,Viton			Pump	39 kg
43	<input type="checkbox"/> Companion Flanges					Bed	39 kg
44	<input type="checkbox"/> Special Tool					Motor	29 kg
						Total wt.	107 kg
*Pump test acceptance grade in accordance with ISO 9906:2012, Grade 2B.							

# Estimated Performance Curve

Sheet No.	
Customer	
Item No.	
Date	2017-03-23

## SPECIFICATION

PUMP		MOTOR	
CAPACITY	250 l/min	OUTPUT	2.2 kW
TOTAL HEAD	18 m	VOLTAGE	<input checked="" type="checkbox"/> 220/380V <input type="checkbox"/>
SUCTION BORE	50 mm	FREQUENCY	60 Hz
DISCHARGE BORE	40 mm	SPEED	1750 1/min
LIQUID	WATER	TYPE	TEFC
MAKER	WILO	MAKER	HIGEN



\* Pump test acceptance grade in accordance with ISO 9906:2012, Grade 2B.

\* Subject to change without prior notice.

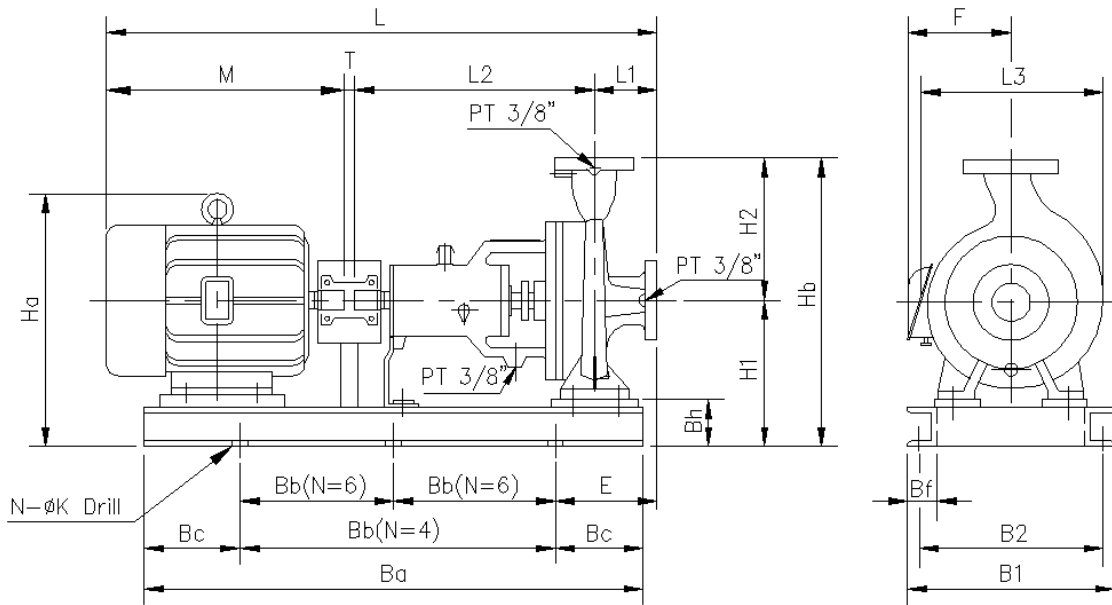
TYPE	Single Stage Volute
MODEL	PSV-5040C_IE2
SERVICE	

# Outline Drawing

Sheet No.	
Customer	
Item No.	
Date	2017-03-23

## SPECIFICATION

<b>PUMP</b>	CAPACITY	250 l/min	<b>MOTOR</b>	OUTPUT	2.2 kW
	TOTAL HEAD	18 m		VOLTAGE	☒ 220/380V ☐
	SUCTION BORE	50 mm		FREQUENCY	60 Hz
	DISCHARGE BORE	40 mm		SPEED	1750 1/min
	LIQUID	WATER		TYPE	TEFC
	MAKER	WILO		MAKER	HIGEN



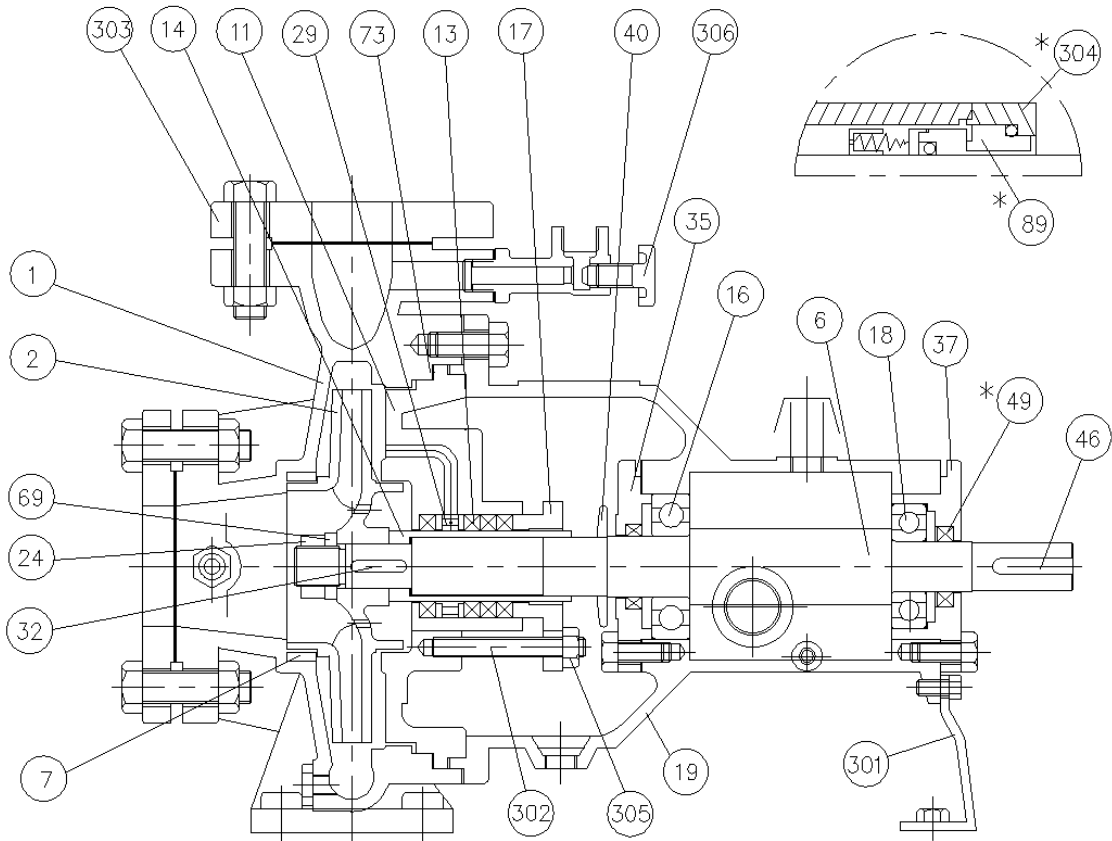
\* Dimension of outline drawing subjects to change without prior notice.

L1	100	Hb	425	E	162.5
L2	360	Ha	387	B1	350
L3	290	Bh	85	B2	315
L	822	T	4	N	4
M	358	Ba	750	K	15
H1	245	Bb	500	F	168
H2	180	Bc	125	Bf	40

TYPE	Single Stage Volute
MODEL	PSV-5040C_IE2
SERVICE	

# Sectional Drawing

Sheet No.	
Customer	
Item No.	
Date	2017-03-23



<REFERENCE>

\* MARK : OPTION PARTS

# MARK : SPARE PARTS

No.	Part Name	Material	Qt'y	No.	Part Name	Material	Qt'y
1	Casing	GC200	1	35	Bearing Cover(A)	GC200	1
#2	Impeller	GC200	1	37	Bearing Cover(B)	GC200	1
6	Shaft	SM45C	1	40	Deflector	NR610	1
7	Casing Ring	GC200	1	46	Coupling Key	SM45C	1
11	Casing Cover	GC200	1	*49	Oil Seal	NBR	2
13	Gland Packing	Fabric	4	69	Impeller Washer	STS304	1
#14	Sleeve	STS304	1	#73	Casing Gasket	NBR	1
#16	Ball Bearing(A)	STB2	1	*89	Mechanical Seal	-	1
17	Gland	GC200	1	301	Support	SCP1	1
#18	Ball Bearing(B)	STB2	1	302	Gland Bolt	STS304	2/4
19	Bearing Housing	GC200	1	*303	Companion Flange	-	
24	Impeller Nut	STS304	1	*304	M/Seal Cover	SM45C	1
29	Lantern Ring	NORYL/HBsC1	1	305	Nut	C3602BD	2/4
#32	Impeller Key	SM45C	1	306	Priming Pipe	HBsC1	1

TYPE	Single Stage Volute
MODEL	PSV-5040C_IE2
SERVICE	