

wilo Pump Data Sheet

Sheet No.	
Customer	
Item No.	
Date	2017-03-23

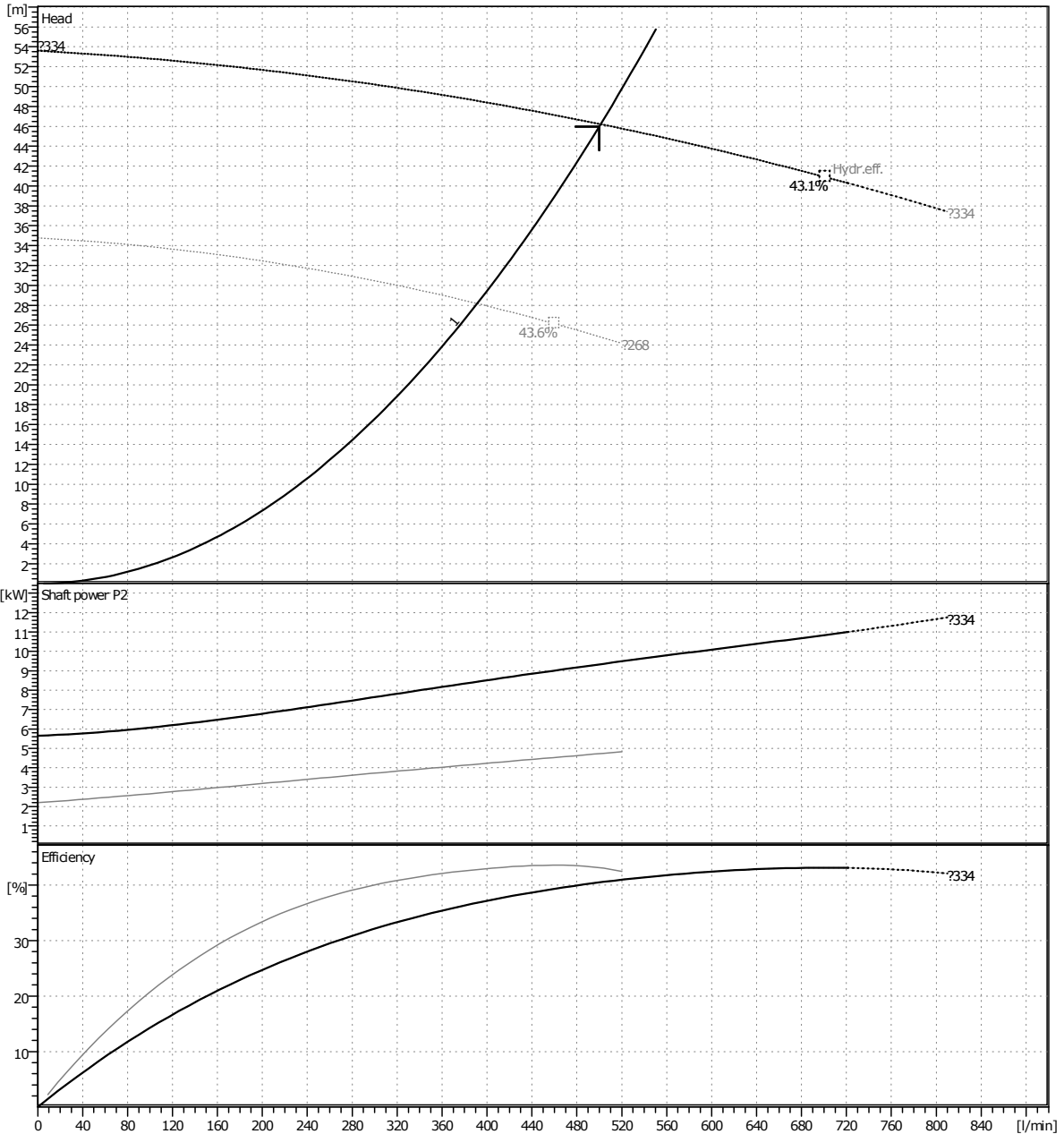
1	MODEL	PSV-6550E_IE2		Title			
2	Location			Agent			
3	Service			Plant Name			
4	Quantity	Set(s)		Installation	<input checked="" type="checkbox"/> Indoor <input type="checkbox"/> Outdoor		
5	OPERATING CONDITION						
6	Liquid	Water		Flow	500 l/min		
7	Pumping Temp.	Ambient		Suc. Pressure			
8	S.G.	1		Dis. Pressure			
9	Vap. Pressure	0.03kg/cm2A at 24?		Diff. Pressure			
10	Viscosity	1 cP		Total Head	46 m		
11	PERFORMANCE AND CONSTRUCTION				MATERIAL		
12	Horizontal		Efficiency	40.5 %	Part Name	Symbol	
13	No. of Stages	1	Rated Power	9.34 kW	Casing&Cover	GC200	
14	Speed	1750 rpm	NPSHre		Casing Ring	GC200	
15	Rotation	CW (view from drive end)			Impeller	GC200	
16	BORE	Size(Dia)	Rating	Face	Position	Shaft	
17	Suction	65 mm	10kgf/cm2	RF	End	Sleeve	
18	Discharge	50 mm	10kgf/cm2	RF	Top	B/R Housing	
19	Impeller Type	Closed	Single Stage Volute		HYDROSTATIC		
20	Flow Direction	Radial		Casing		3 min	
21	Shaft Seal	M/Seal	Shaft Sleeve	Yes	Jacket	3 min	
22	Mounting	Foot			TESTING		
23	Lubrication	<input checked="" type="checkbox"/> Grease <input type="checkbox"/> Oil Bath		Items		Witness	
24	Cooling	<input type="checkbox"/> Stuff.Box <input type="checkbox"/> B/R Housing <input checked="" type="checkbox"/> No Cooling		Run Perform.	<input checked="" type="checkbox"/> Yes <input type="checkbox"/> No	<input type="checkbox"/> Yes <input checked="" type="checkbox"/> No	
25	Radial Bearing	6307zzC3	Thrust Bearing	6308zzC3	Hydrostatic(Air Press.)	<input checked="" type="checkbox"/> Yes <input type="checkbox"/> No <input type="checkbox"/> Yes <input checked="" type="checkbox"/> No	
26	MOTOR SPECIFICATION				SPARE PART		
27	Maker	HIGEN	Phase / V / Hz	3~ <input checked="" type="checkbox"/> 380V <input type="checkbox"/> ~60 Hz		Set(s)	
28	Type	TEFC	Motor Frame No.	160 M		Set(s)	
29	Power	11 kW	Furnished by	<input checked="" type="checkbox"/> WILO <input type="checkbox"/> Customer		Set(s)	
30	No. of Pole	4 P	Mounted by	<input checked="" type="checkbox"/> WILO <input type="checkbox"/> Customer		Set(s)	
31	Insulation	<input checked="" type="checkbox"/> F <input type="checkbox"/>	Enclosure	<input checked="" type="checkbox"/> IP 54 <input type="checkbox"/>		Set(s)	
32	ACCESSORY(<input checked="" type="checkbox"/>Supplied : WILO)					Set(s)	
33	<input checked="" type="checkbox"/> Common Base	Steel Channel					Set(s)
34	<input type="checkbox"/> Foundation Bolts & Nuts					Set(s)	
35	<input checked="" type="checkbox"/> Coupling	<input checked="" type="checkbox"/> Flange <input type="checkbox"/>	<input checked="" type="checkbox"/> Coupling Guard			Set(s)	
36	<input type="checkbox"/> Pressure Guage					Set(s)	
37	<input type="checkbox"/> Plug for Drain & Air vent.					Set(s)	
38	<input type="checkbox"/> Seal Flushing					Set(s)	
39	M/Seal	Maker	KSM	Model & Size	S1A /45	Set(s)	
40		Type	Unbalanced	Cooler	<input type="checkbox"/> Yes <input checked="" type="checkbox"/> No	Set(s)	
41		API 610 Plan					
42		Material Code	Ceramic/Carbon,Viton			WEIGHT	
43	<input type="checkbox"/> Companion Flanges				Pump	82 kg	
44	<input type="checkbox"/> Special Tool				Bed	66 kg	
					Motor	107 kg	
					Total wt.	255 kg	

*Pump test acceptance grade in accordance with ISO 9906:2012, Grade 2B.

Estimated Performance Curve

Sheet No.	
Customer	
Item No.	
Date	2017-03-23

SPECIFICATION			
PUMP	CAPACITY	500 l/min	MOTOR
	TOTAL HEAD	46 m	
	SUCTION BORE	65 mm	
	DISCHARGE BORE	50 mm	
	LIQUID	WATER	
	MAKER	WILO	
OUTPUT		11 kW	
VOLTAGE		<input checked="" type="checkbox"/> 380V <input type="checkbox"/>	
FREQUENCY		60 Hz	
SPEED		1750 1/min	
TYPE		TEFC	
MAKER		HIGEN	



* Pump test acceptance grade in accordance with ISO 9906:2012, Grade 2B.

* Subject to change without prior notice.

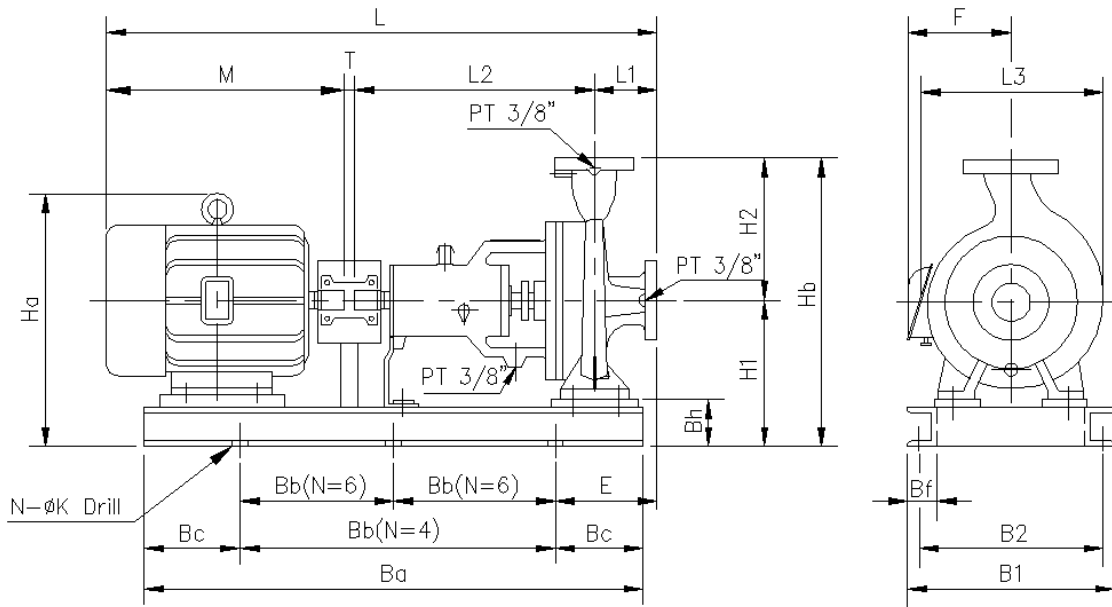
TYPE	Single Stage Volute
MODEL	PSV-6550E_IE2
SERVICE	

Outline Drawing

Sheet No.	
Customer	
Item No.	
Date	2017-03-23

SPECIFICATION

PUMP	CAPACITY	500 l/min	MOTOR	OUTPUT	11 kW
	TOTAL HEAD	46 m		VOLTAGE	<input checked="" type="checkbox"/> 380V <input type="checkbox"/>
	SUCTION BORE	65 mm		FREQUENCY	60 Hz
	DISCHARGE BORE	50 mm		SPEED	1750 1/min
	LIQUID	WATER		TYPE	TEFC
	MAKER	WILO		MAKER	HIGEN



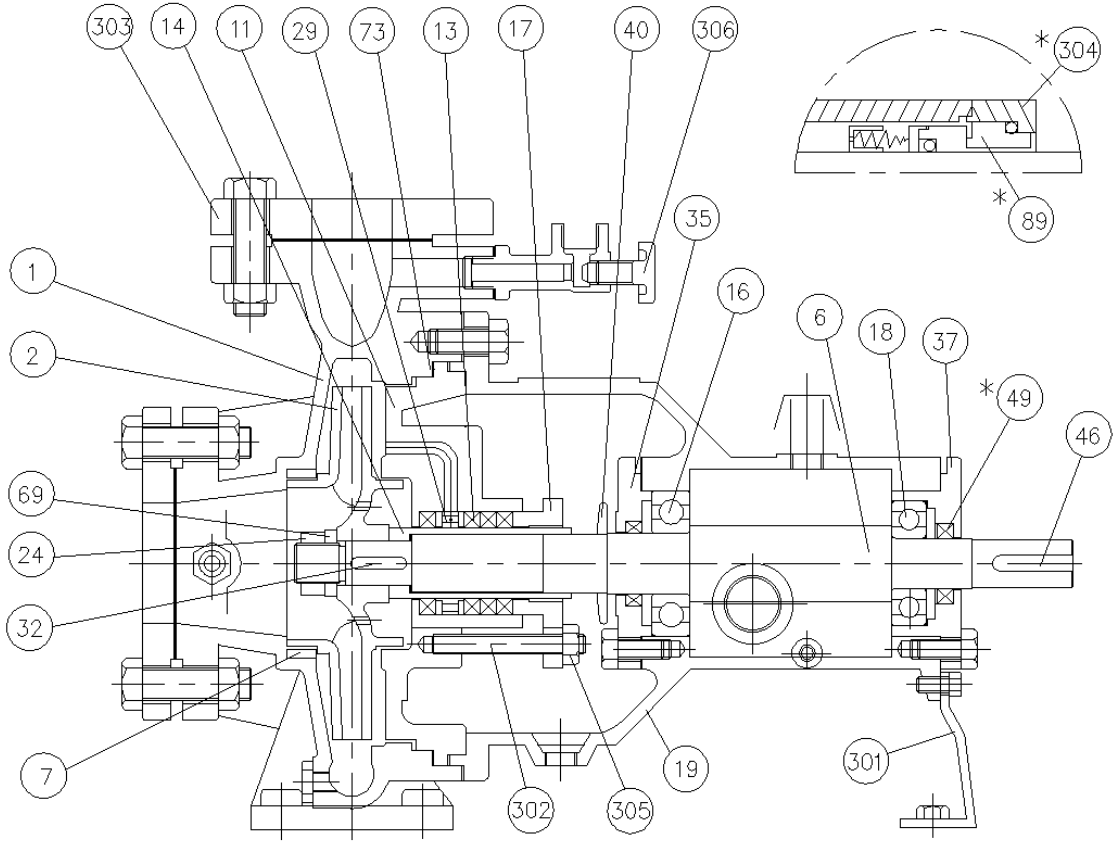
* Dimension of outline drawing subjects to change without prior notice.

L1	125	Hb	615	E	202.5
L2	470	Ha	542	B1	440
L3	415	Bh	110	B2	395
L	1194	T	4	N	6
M	595	Ba	1100	K	19
H1	335	Bb	400	F	265
H2	280	Bc	150	Bf	50

TYPE	Single Stage Volute
MODEL	PSV-6550E_IE2
SERVICE	

Sectional Drawing

Sheet No.	
Customer	
Item No.	
Date	2017-03-23



<REFERENCE>

* MARK : OPTION PARTS

MARK : SPARE PARTS

No.	Part Name	Material	Qt'y	No.	Part Name	Material	Qt'y
1	Casing	GC200	1	35	Bearing Cover(A)	GC200	1
#2	Impeller	GC200	1	37	Bearing Cover(B)	GC200	1
6	Shaft	SM45C	1	40	Deflector	NR610	1
7	Casing Ring	GC200	1	46	Coupling Key	SM45C	1
11	Casing Cover	GC200	1	*49	Oil Seal	NBR	2
13	Gland Packing	Fabric	4	69	Impeller Washer	STS304	1
#14	Sleeve	STS304	1	#73	Casing Gasket	NBR	1
#16	Ball Bearing(A)	STB2	1	*89	Mechanical Seal	-	1
17	Gland	GC200	1	301	Support	SCP1	1
#18	Ball Bearing(B)	STB2	1	302	Gland Bolt	STS304	2/4
19	Bearing Housing	GC200	1	*303	Companion Flange	-	
24	Impeller Nut	STS304	1	*304	M/Seal Cover	SM45C	1
29	Lantern Ring	NORYL/HBsC1	1	305	Nut	C3602BD	2/4
#32	Impeller Key	SM45C	1	306	Priming Pipe	HBsC1	1

TYPE	Single Stage Volute
MODEL	PSV-6550E_IE2
SERVICE	