

wilo Pump Data Sheet

Sheet No.	
Customer	
Item No.	
Date	2017-03-23

1	MODEL	PSV-8065B_IE2		Title		
2	Location			Agent		
3	Service			Plant Name		
4	Quantity	Set(s)		Installation	<input checked="" type="checkbox"/> Indoor <input type="checkbox"/> Outdoor	
5	OPERATING CONDITION					
6	Liquid	Water		Flow	1000 l/min	
7	Pumping Temp.	Ambient		Suc. Pressure		
8	S.G.	1		Dis. Pressure		
9	Vap. Pressure	0.03kg/cm2A at 24?		Diff. Pressure		
10	Viscosity	1 cP		Total Head	11.5 m	
11	PERFORMANCE AND CONSTRUCTION				MATERIAL	
12	Horizontal		Efficiency	73.6 %	Part Name	Symbol
13	No. of Stages	1	Rated Power	2.58 kW	Casing&Cover	GC200
14	Speed	1750 rpm	NPSHre		Casing Ring	GC200
15	Rotation	CW (view from drive end)			Impeller	GC200
16	BORE	Size(Dia)	Rating	Face	Position	Shaft
17	Suction	80 mm	10kgf/cm2	RF	End	Sleeve
18	Discharge	65 mm	10kgf/cm2	RF	Top	B/R Housing
19	Impeller Type	Closed	Single Stage Volute		HYDROSTATIC	
20	Flow Direction	Radial		Casing		3 min
21	Shaft Seal	M/Seal	Shaft Sleeve	Yes	Jacket	3 min
22	Mounting	Foot		TESTING		
23	Lubrication	<input checked="" type="checkbox"/> Grease <input type="checkbox"/> Oil Bath		Items		Witness
24	Cooling	<input type="checkbox"/> Stuff.Box <input type="checkbox"/> B/R Housing <input checked="" type="checkbox"/> No Cooling		Run Perform.	<input checked="" type="checkbox"/> Yes <input type="checkbox"/> No	<input type="checkbox"/> Yes <input checked="" type="checkbox"/> No
25	Radial Bearing	6305zzC3	Thrust Bearing	6306zzC3	Hydrostatic(Air Press.)	<input checked="" type="checkbox"/> Yes <input type="checkbox"/> No <input type="checkbox"/> Yes <input checked="" type="checkbox"/> No
26	MOTOR SPECIFICATION				SPARE PART	
27	Maker	HIGEN	Phase / V / Hz	3~ <input checked="" type="checkbox"/> 220/380V <input type="checkbox"/> ~60 Hz		Set(s)
28	Type	TEFC	Motor Frame No.	112 M		Set(s)
29	Power	3.7 kW	Furnished by	<input checked="" type="checkbox"/> WILO <input type="checkbox"/> Customer		Set(s)
30	No. of Pole	4 P	Mounted by	<input checked="" type="checkbox"/> WILO <input type="checkbox"/> Customer		Set(s)
31	Insulation	<input checked="" type="checkbox"/> F <input type="checkbox"/>	Enclosure	<input checked="" type="checkbox"/> IP 54 <input type="checkbox"/>		Set(s)
32	ACCESSORY(<input checked="" type="checkbox"/>Supplied : WILO)					Set(s)
33	<input checked="" type="checkbox"/> Common Base	Steel Channel				Set(s)
34	<input type="checkbox"/> Foundation Bolts & Nuts					Set(s)
35	<input checked="" type="checkbox"/> Coupling	<input checked="" type="checkbox"/> Flange <input type="checkbox"/>	<input checked="" type="checkbox"/> Coupling Guard			Set(s)
36	<input type="checkbox"/> Pressure Guage					Set(s)
37	<input type="checkbox"/> Plug for Drain & Air vent.					Set(s)
38	<input type="checkbox"/> Seal Flushing					Set(s)
39	M/Seal	Maker	KSM	Model & Size	S1A /35	Set(s)
40		Type	Unbalanced	Cooler	<input type="checkbox"/> Yes <input checked="" type="checkbox"/> No	Set(s)
41		API 610 Plan			WEIGHT	
42		Material Code	Ceramic/Carbon,Viton		Pump	41 kg
43	<input type="checkbox"/> Companion Flanges			Bed	39 kg	
44	<input type="checkbox"/> Special Tool			Motor	42 kg	
				Total wt.	122 kg	

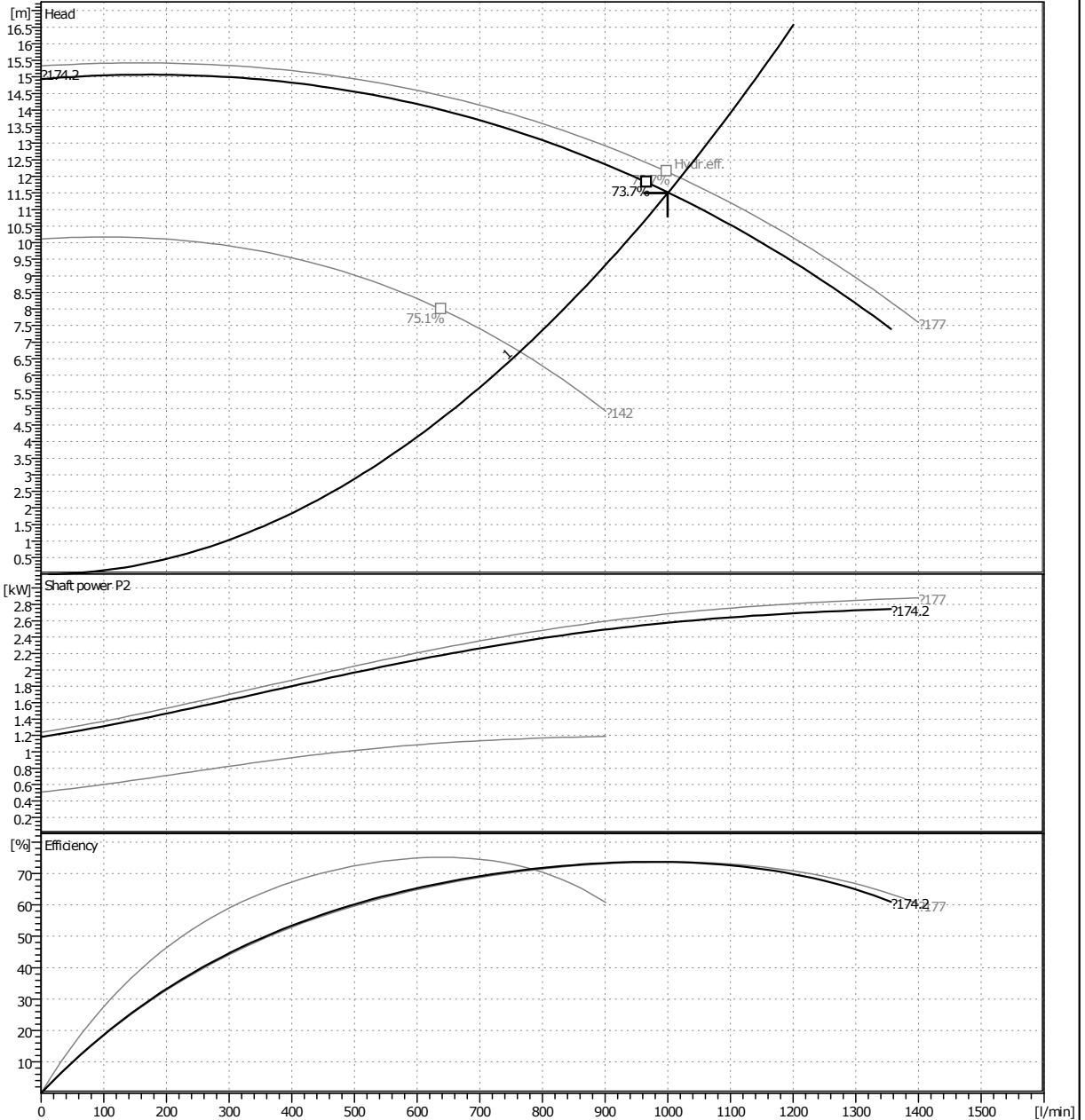
*Pump test acceptance grade in accordance with ISO 9906:2012, Grade 2B.

Estimated Performance Curve

Sheet No.	
Customer	
Item No.	
Date	2017-03-23

SPECIFICATION

PUMP	CAPACITY	1000 l/min	MOTOR	OUTPUT	3.7 kW
	TOTAL HEAD	11.5 m		VOLTAGE	<input checked="" type="checkbox"/> 220/380V <input type="checkbox"/>
	SUCTION BORE	80 mm		FREQUENCY	60 Hz
	DISCHARGE BORE	65 mm		SPEED	1750 1/min
	LIQUID	WATER		TYPE	TEFC
	MAKER	WILO		MAKER	HIGEN



* Pump test acceptance grade in accordance with ISO 9906:2012, Grade 2B.

* Subject to change without prior notice.

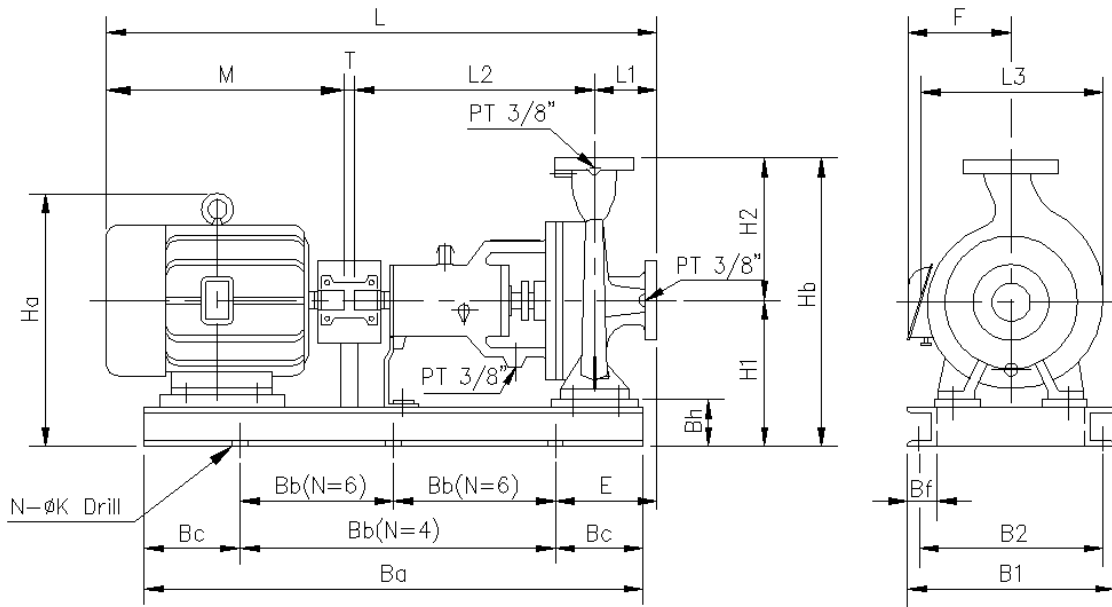
TYPE	Single Stage Volute
MODEL	PSV-8065B_IE2
SERVICE	

Outline Drawing

Sheet No.	
Customer	
Item No.	
Date	2017-03-23

SPECIFICATION

PUMP	CAPACITY	1000 l/min	MOTOR	OUTPUT	3.7 kW
	TOTAL HEAD	11.5 m		VOLTAGE	☒ 220/380V ☐
	SUCTION BORE	80 mm		FREQUENCY	60 Hz
	DISCHARGE BORE	65 mm		SPEED	1750 1/min
	LIQUID	WATER		TYPE	TEFC
	MAKER	WILO		MAKER	HIGEN



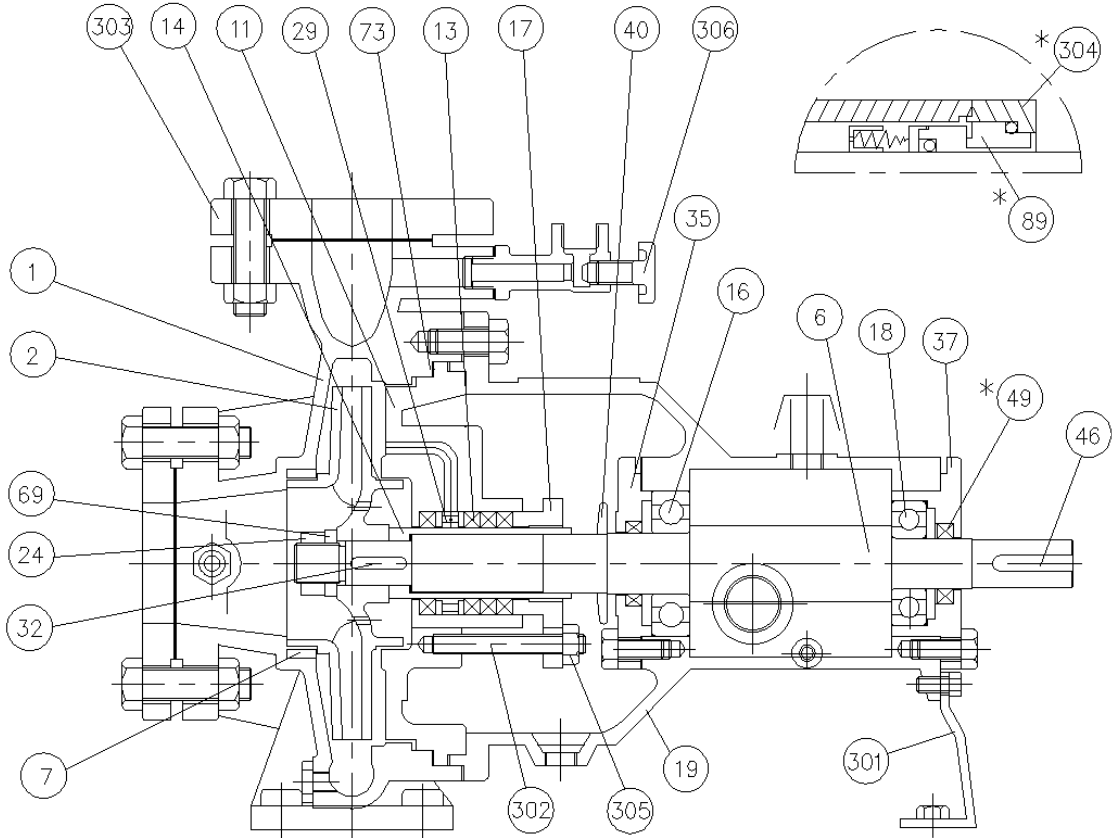
* Dimension of outline drawing subjects to change without prior notice.

L1	100	Hb	445	E	147.5
L2	360	Ha	407	B1	350
L3	275	Bh	85	B2	315
L	833	T	4	N	4
M	369	Ba	750	K	15
H1	245	Bb	500	F	187
H2	200	Bc	125	Bf	40

TYPE	Single Stage Volute
MODEL	PSV-8065B_IE2
SERVICE	

Sectional Drawing

Sheet No.	
Customer	
Item No.	
Date	2017-03-23



<REFERENCE>

* MARK : OPTION PARTS

MARK : SPARE PARTS

No.	Part Name	Material	Qt'y	No.	Part Name	Material	Qt'y
1	Casing	GC200	1	35	Bearing Cover(A)	GC200	1
#2	Impeller	GC200	1	37	Bearing Cover(B)	GC200	1
6	Shaft	SM45C	1	40	Deflector	NR610	1
7	Casing Ring	GC200	1	46	Coupling Key	SM45C	1
11	Casing Cover	GC200	1	*49	Oil Seal	NBR	2
13	Gland Packing	Fabric	4	69	Impeller Washer	STS304	1
#14	Sleeve	STS304	1	#73	Casing Gasket	NBR	1
#16	Ball Bearing(A)	STB2	1	*89	Mechanical Seal	-	1
17	Gland	GC200	1	301	Support	SCP1	1
#18	Ball Bearing(B)	STB2	1	302	Gland Bolt	STS304	2/4
19	Bearing Housing	GC200	1	*303	Companion Flange	-	
24	Impeller Nut	STS304	1	*304	M/Seal Cover	SM45C	1
29	Lantern Ring	NORYL/HBsC1	1	305	Nut	C3602BD	2/4
#32	Impeller Key	SM45C	1	306	Priming Pipe	HBsC1	1

TYPE	Single Stage Volute
MODEL	PSV-8065B_IE2
SERVICE	