

wilo Pump Data Sheet

| | |
|-----------|------------|
| Sheet No. | |
| Customer | |
| Item No. | |
| Date | 2017-03-23 |

| | | | | | | |
|----|--|--|--|---|---|---|
| 1 | MODEL | PSV-1080E_IE2 | | Title | | |
| 2 | Location | | | Agent | | |
| 3 | Service | | | Plant Name | | |
| 4 | Quantity | Set(s) | | Installation | <input checked="" type="checkbox"/> Indoor <input type="checkbox"/> Outdoor | |
| 5 | OPERATING CONDITION | | | | | |
| 6 | Liquid | Water | | Flow | 1600 l/min | |
| 7 | Pumping Temp. | Ambient | | Suc. Pressure | | |
| 8 | S.G. | 1 | | Dis. Pressure | | |
| 9 | Vap. Pressure | 0.03kg/cm2A at 24? | | Diff. Pressure | | |
| 10 | Viscosity | 1 cP | | Total Head | 44 m | |
| 11 | PERFORMANCE AND CONSTRUCTION | | | | MATERIAL | |
| 12 | Horizontal | | Efficiency | 62.2 % | Part Name | Symbol |
| 13 | No. of Stages | 1 | Rated Power | 18.5 kW | Casing&Cover | GC200 |
| 14 | Speed | 1750 rpm | NPSHre | | Casing Ring | GC200 |
| 15 | Rotation | CW (view from drive end) | | | Impeller | GC200 |
| 16 | BORE | Size(Dia) | Rating | Face | Position | Shaft |
| 17 | Suction | 100 mm | 10kgf/cm2 | RF | End | Sleeve |
| 18 | Discharge | 80 mm | 10kgf/cm2 | RF | Top | B/R Housing |
| 19 | Impeller Type | Closed | Single Stage Volute | | HYDROSTATIC | |
| 20 | Flow Direction | Radial | | Casing | | 3 min |
| 21 | Shaft Seal | M/Seal | Shaft Sleeve | Yes | Jacket | 3 min |
| 22 | Mounting | Foot | | TESTING | | |
| 23 | Lubrication | <input checked="" type="checkbox"/> Grease <input type="checkbox"/> Oil Bath | | Items | | Witness |
| 24 | Cooling | <input type="checkbox"/> Stuff.Box <input type="checkbox"/> B/R Housing <input checked="" type="checkbox"/> No Cooling | | Run Perform. | <input checked="" type="checkbox"/> Yes <input type="checkbox"/> No | <input type="checkbox"/> Yes <input checked="" type="checkbox"/> No |
| 25 | Radial Bearing | 6307zzC3 | Thrust Bearing | 6308zzC3 | Hydrostatic(Air Press.) | <input checked="" type="checkbox"/> Yes <input type="checkbox"/> No <input type="checkbox"/> Yes <input checked="" type="checkbox"/> No |
| 26 | MOTOR SPECIFICATION | | | | SPARE PART | |
| 27 | Maker | HIGEN | Phase / V / Hz | 3~ <input checked="" type="checkbox"/> 380V <input type="checkbox"/> ~60 Hz | | Set(s) |
| 28 | Type | TEFC | Motor Frame No. | 180 M | | Set(s) |
| 29 | Power | 22 kW | Furnished by | <input checked="" type="checkbox"/> WILO <input type="checkbox"/> Customer | | Set(s) |
| 30 | No. of Pole | 4 P | Mounted by | <input checked="" type="checkbox"/> WILO <input type="checkbox"/> Customer | | Set(s) |
| 31 | Insulation | <input checked="" type="checkbox"/> F <input type="checkbox"/> | Enclosure | <input checked="" type="checkbox"/> IP 54 <input type="checkbox"/> | | Set(s) |
| 32 | ACCESSORY(<input checked="" type="checkbox"/>Supplied : WILO) | | | | | Set(s) |
| 33 | <input checked="" type="checkbox"/> Common Base | Steel Channel | | | | Set(s) |
| 34 | <input type="checkbox"/> Foundation Bolts & Nuts | | | | | Set(s) |
| 35 | <input checked="" type="checkbox"/> Coupling | <input checked="" type="checkbox"/> Flange <input type="checkbox"/> | <input checked="" type="checkbox"/> Coupling Guard | | | Set(s) |
| 36 | <input type="checkbox"/> Pressure Guage | | | | | Set(s) |
| 37 | <input type="checkbox"/> Plug for Drain & Air vent. | | | | | Set(s) |
| 38 | <input type="checkbox"/> Seal Flushing | | | | | Set(s) |
| 39 | M/Seal | Maker | KSM | Model & Size | S1A /45 | Set(s) |
| 40 | | Type | Unbalanced | Cooler | <input type="checkbox"/> Yes <input checked="" type="checkbox"/> No | Set(s) |
| 41 | | API 610 Plan | | | | |
| 42 | | Material Code | Ceramic/Carbon,Viton | | Pump | 71 kg |
| 43 | <input type="checkbox"/> Companion Flanges | | | | Bed | 66 kg |
| 44 | <input type="checkbox"/> Special Tool | | | | Motor | 185 kg |
| | | | | | Total wt. | 322 kg |

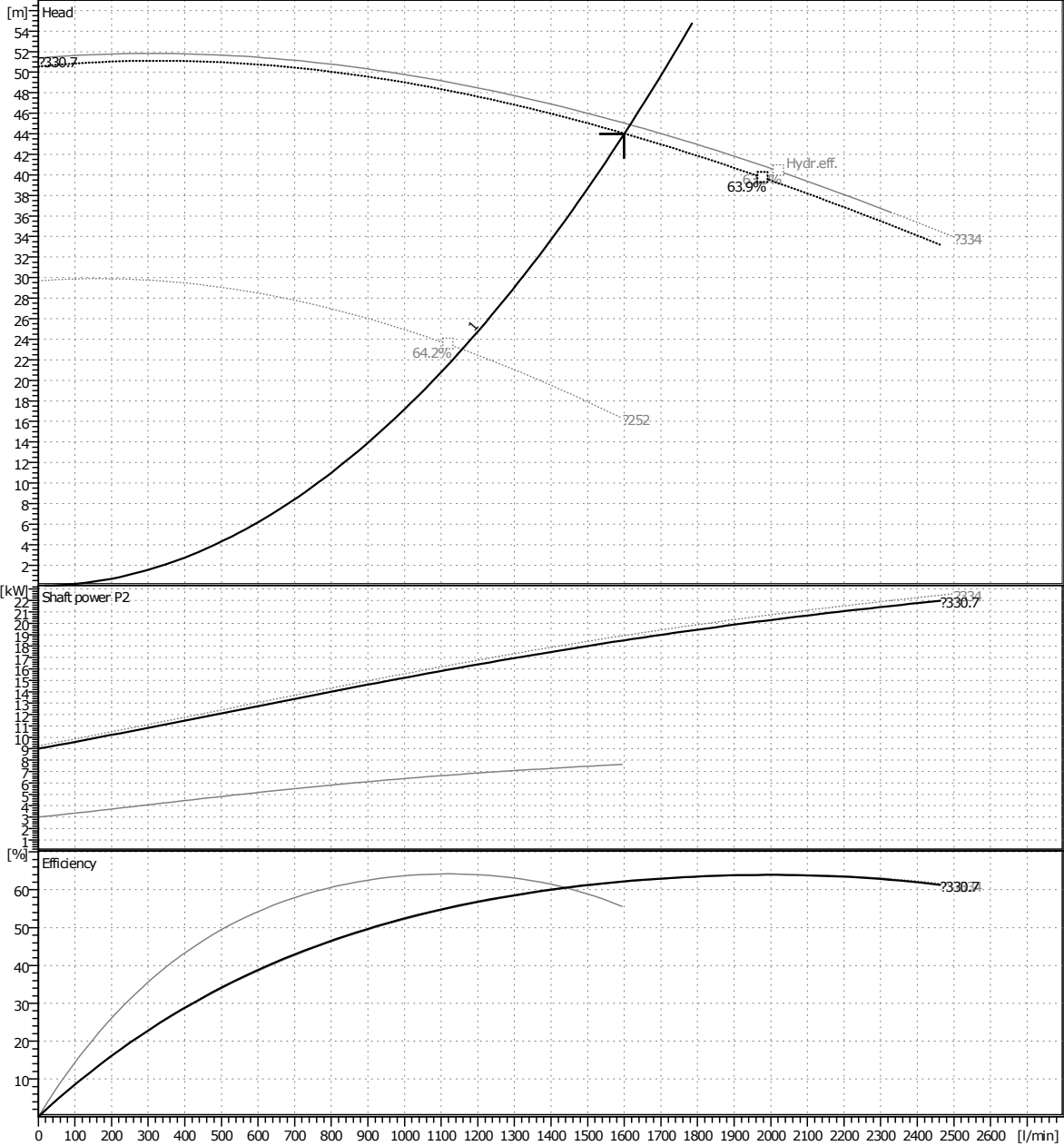
*Pump test acceptance grade in accordance with ISO 9906:2012, Grade 2B.

Estimated Performance Curve

| | |
|-----------|------------|
| Sheet No. | |
| Customer | |
| Item No. | |
| Date | 2017-03-23 |

SPECIFICATION

| PUMP | | MOTOR | |
|----------------|------------|-----------|---|
| CAPACITY | 1600 l/min | OUTPUT | 22 kW |
| TOTAL HEAD | 44 m | VOLTAGE | <input checked="" type="checkbox"/> 380V <input type="checkbox"/> |
| SUCTION BORE | 100 mm | FREQUENCY | 60 Hz |
| DISCHARGE BORE | 80 mm | SPEED | 1750 1/min |
| LIQUID | WATER | TYPE | TEFC |
| MAKER | WILO | MAKER | HIGEN |



* Pump test acceptance grade in accordance with ISO 9906:2012, Grade 2B.

* Subject to change without prior notice.

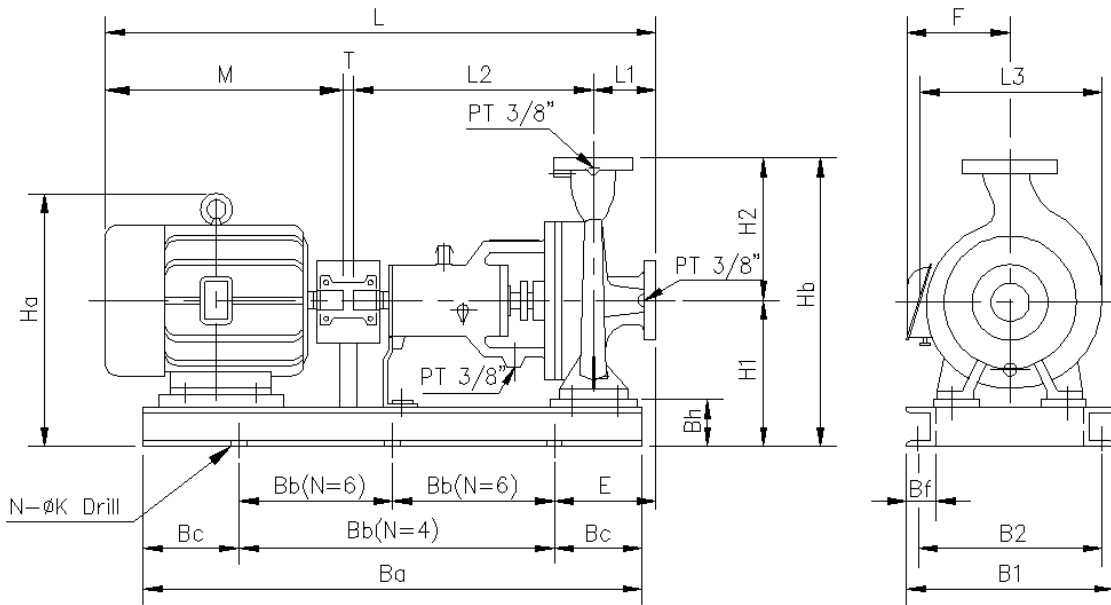
| | |
|---------|---------------------|
| TYPE | Single Stage Volute |
| MODEL | PSV-1080E_IE2 |
| SERVICE | |

Outline Drawing

| | |
|-----------|------------|
| Sheet No. | |
| Customer | |
| Item No. | |
| Date | 2017-03-23 |

SPECIFICATION

| | | | | | |
|-------------|----------------|------------|--------------|-----------|---|
| PUMP | CAPACITY | 1600 l/min | MOTOR | OUTPUT | 22 kW |
| | TOTAL HEAD | 44 m | | VOLTAGE | <input checked="" type="checkbox"/> 380V <input type="checkbox"/> |
| | SUCTION BORE | 100 mm | | FREQUENCY | 60 Hz |
| | DISCHARGE BORE | 80 mm | | SPEED | 1750 1/min |
| | LIQUID | WATER | | TYPE | TEFC |
| | MAKER | WILO | | MAKER | HIGEN |



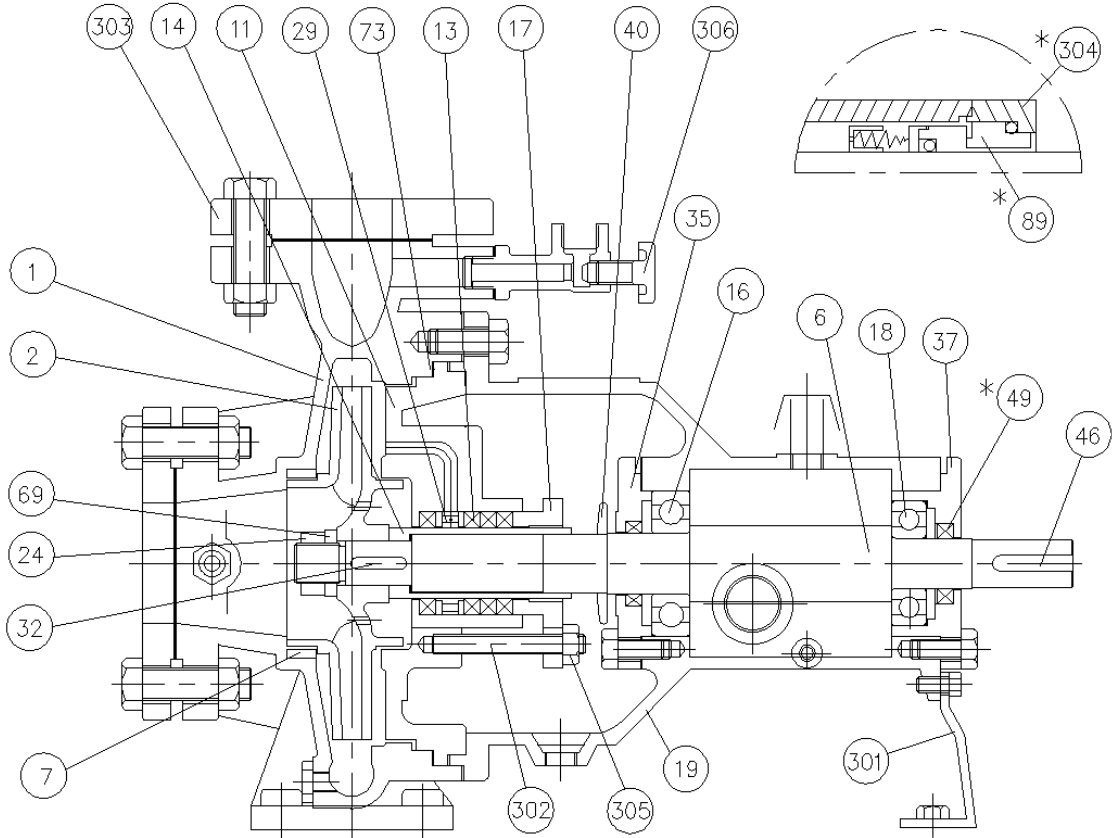
* Dimension of outline drawing subjects to change without prior notice.

| | | | | | |
|----|------|----|------|----|-----|
| L1 | 125 | Hb | 675 | E | 185 |
| L2 | 470 | Ha | 606 | B1 | 440 |
| L3 | 435 | Bh | 110 | B2 | 395 |
| L | 1244 | T | 4 | N | 6 |
| M | 645 | Ba | 1150 | K | 19 |
| H1 | 360 | Bb | 425 | F | 286 |
| H2 | 315 | Bc | 150 | Bf | 50 |

| | |
|---------|---------------------|
| TYPE | Single Stage Volute |
| MODEL | PSV-1080E_IE2 |
| SERVICE | |

Sectional Drawing

| | |
|-----------|------------|
| Sheet No. | |
| Customer | |
| Item No. | |
| Date | 2017-03-23 |



<REFERENCE>

* MARK : OPTION PARTS

MARK : SPARE PARTS

| No. | Part Name | Material | Qt'y | No. | Part Name | Material | Qt'y |
|-----|-----------------|-------------|------|------|------------------|----------|------|
| 1 | Casing | GC200 | 1 | 35 | Bearing Cover(A) | GC200 | 1 |
| #2 | Impeller | GC200 | 1 | 37 | Bearing Cover(B) | GC200 | 1 |
| 6 | Shaft | SCM440 | 1 | 40 | Deflector | NR610 | 1 |
| 7 | Casing Ring | GC200 | 1 | 46 | Coupling Key | SM45C | 1 |
| 11 | Casing Cover | GC200 | 1 | *49 | Oil Seal | NBR | 2 |
| 13 | Gland Packing | Fabric | 4 | 69 | Impeller Washer | STS304 | 1 |
| #14 | Sleeve | STS304 | 1 | #73 | Casing Gasket | NBR | 1 |
| #16 | Ball Bearing(A) | STB2 | 1 | *89 | Mechanical Seal | - | 1 |
| 17 | Gland | GC200 | 1 | 301 | Support | SCP1 | 1 |
| #18 | Ball Bearing(B) | STB2 | 1 | 302 | Gland Bolt | STS304 | 2/4 |
| 19 | Bearing Housing | GC200 | 1 | *303 | Companion Flange | - | |
| 24 | Impeller Nut | STS304 | 1 | *304 | M/Seal Cover | SM45C | 1 |
| 29 | Lantern Ring | NORYL/HBsC1 | 1 | 305 | Nut | C3602BD | 2/4 |
| #32 | Impeller Key | SCM440 | 1 | 306 | Priming Pipe | HBsC1 | 1 |

| | |
|---------|---------------------|
| TYPE | Single Stage Volute |
| MODEL | PSV-1080E_IE2 |
| SERVICE | |