

wilo Pump Data Sheet

Sheet No.	
Customer	
Item No.	
Date	2017-03-24

1	MODEL	PSV-1512E_IE2		Title			
2	Location			Agent			
3	Service			Plant Name			
4	Quantity	Set(s)		Installation	<input checked="" type="checkbox"/> Indoor <input type="checkbox"/> Outdoor		
5	OPERATING CONDITION						
6	Liquid	Water		Flow	4000 l/min		
7	Pumping Temp.	Ambient		Suc. Pressure			
8	S.G.	1		Dis. Pressure			
9	Vap. Pressure	0.03kg/cm2A at 24?		Diff. Pressure			
10	Viscosity	1 cP		Total Head	46 m		
11	PERFORMANCE AND CONSTRUCTION					MATERIAL	
12	Horizontal		Efficiency	77.9	%	Part Name	Symbol
13	No. of Stages	1	Rated Power	39 kW		Casing&Cover	GC200
14	Speed	1750 rpm	NPSHre			Casing Ring	GC200
15	Rotation	CW (view from drive end)			Impeller	GC200	
16	BORE	Size(Dia)	Rating	Face	Position	Shaft	SM45C
17	Suction	150 mm	10kgf/cm2	RF	End	Sleeve	STS304
18	Discharge	125 mm	10kgf/cm2	RF	Top	B/R Housing	GC200
19	Impeller Type	Closed	Single Stage Volute		HYDROSTATIC		
20	Flow Direction	Radial		Casing		3 min	
21	Shaft Seal	M/Seal	Shaft Sleeve	Yes	Jacket		3 min
22	Mounting	Foot		TESTING			
23	Lubrication	<input checked="" type="checkbox"/> Grease <input type="checkbox"/> Oil Bath		Items		Witness	
24	Cooling	<input type="checkbox"/> Stuff.Box <input type="checkbox"/> B/R Housing <input checked="" type="checkbox"/> No Cooling		Run Perform.	<input checked="" type="checkbox"/> Yes <input type="checkbox"/> No	<input type="checkbox"/> Yes <input checked="" type="checkbox"/> No	
25	Radial Bearing	6409zzC3	Thrust Bearing	6410zzC3	Hydrostatic(Air Press.)	<input checked="" type="checkbox"/> Yes <input type="checkbox"/> No	<input type="checkbox"/> Yes <input checked="" type="checkbox"/> No
26	MOTOR SPECIFICATION					SPARE PART	
27	Maker	HIGEN	Phase / V / Hz	3~ <input checked="" type="checkbox"/> 380V <input type="checkbox"/>	~60 Hz		Set(s)
28	Type	TEFC	Motor Frame No.	225 S			Set(s)
29	Power	55 kW	Furnished by	<input checked="" type="checkbox"/> WILO <input type="checkbox"/> Customer			Set(s)
30	No. of Pole	4 P	Mounted by	<input checked="" type="checkbox"/> WILO <input type="checkbox"/> Customer			Set(s)
31	Insulation	<input checked="" type="checkbox"/> F <input type="checkbox"/>	Enclosure	<input checked="" type="checkbox"/> IP 54 <input type="checkbox"/>			Set(s)
32	ACCESSORY(<input checked="" type="checkbox"/>Supplied : WILO)						Set(s)
33	<input checked="" type="checkbox"/> Common Base	Steel Channel					Set(s)
34	<input type="checkbox"/> Foundation Bolts & Nuts						Set(s)
35	<input checked="" type="checkbox"/> Coupling	<input checked="" type="checkbox"/> Flange <input type="checkbox"/>	<input checked="" type="checkbox"/> Coupling Guard				Set(s)
36	<input type="checkbox"/> Pressure Guage						Set(s)
37	<input type="checkbox"/> Plug for Drain & Air vent.						Set(s)
38	<input type="checkbox"/> Seal Flushing						Set(s)
39	M/Seal	Maker	KSM	Model & Size	S1A /55		Set(s)
40		Type	Unbalanced	Cooler	<input type="checkbox"/> Yes <input checked="" type="checkbox"/> No		Set(s)
41		API 610 Plan					
42		Material Code	Ceramic/Carbon,Viton		Pump	130 kg	
43	<input type="checkbox"/> Companion Flanges			Bed	90 kg		
44	<input type="checkbox"/> Special Tool			Motor	293 kg		
				Total wt.	513 kg		

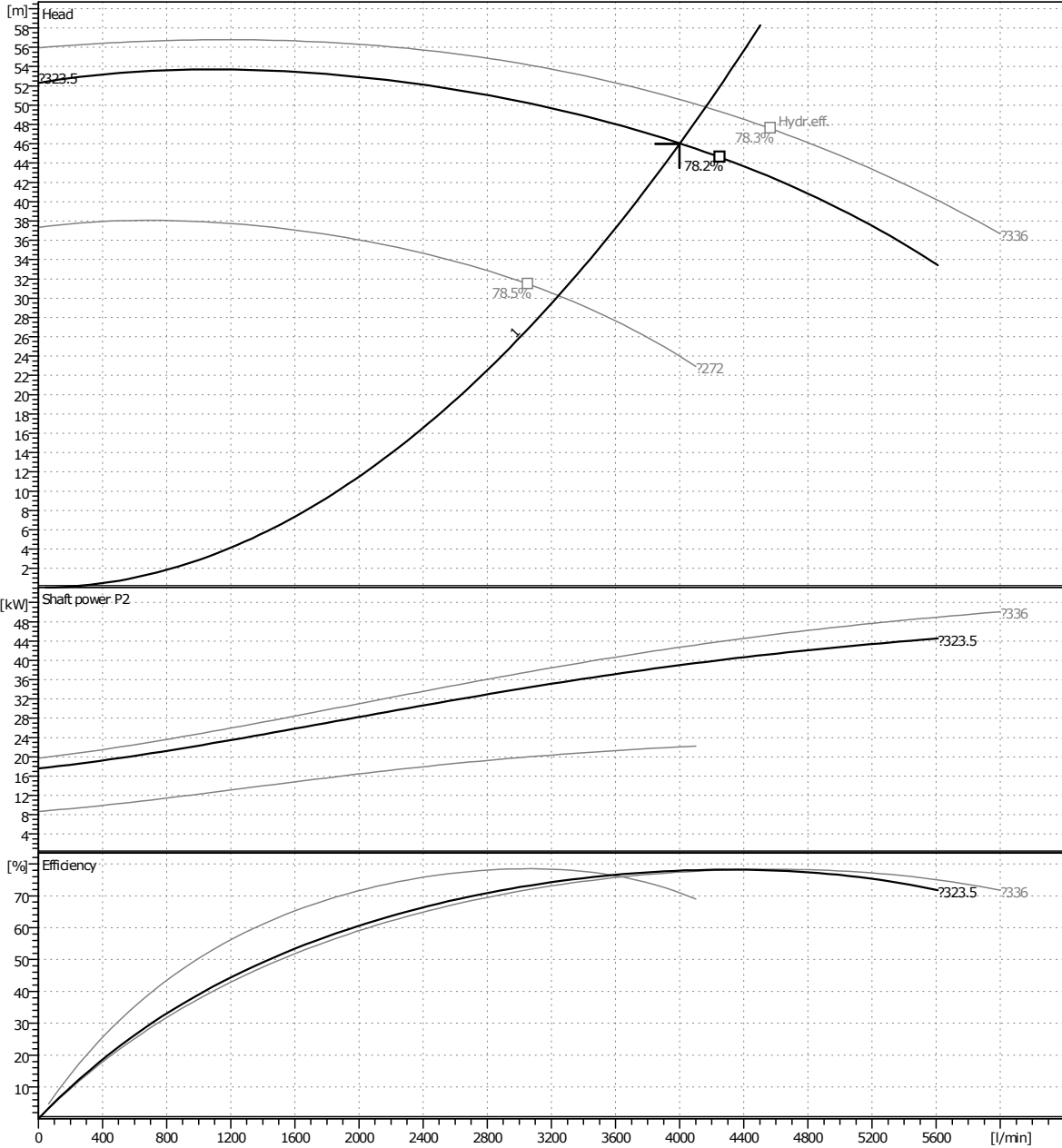
*Pump test acceptance grade in accordance with ISO 9906:2012, Grade 2B.

Estimated Performance Curve

Sheet No.	
Customer	
Item No.	
Date	2017-03-24

SPECIFICATION

PUMP		MOTOR	
CAPACITY	4000 l/min	OUTPUT	55 kW
TOTAL HEAD	46 m	VOLTAGE	<input checked="" type="checkbox"/> 380V <input type="checkbox"/>
SUCTION BORE	150 mm	FREQUENCY	60 Hz
DISCHARGE BORE	125 mm	SPEED	1750 1/min
LIQUID	WATER	TYPE	TEFC
MAKER	WILO	MAKER	HIGEN



* Pump test acceptance grade in accordance with ISO 9906:2012, Grade 2B.

* Subject to change without prior notice.

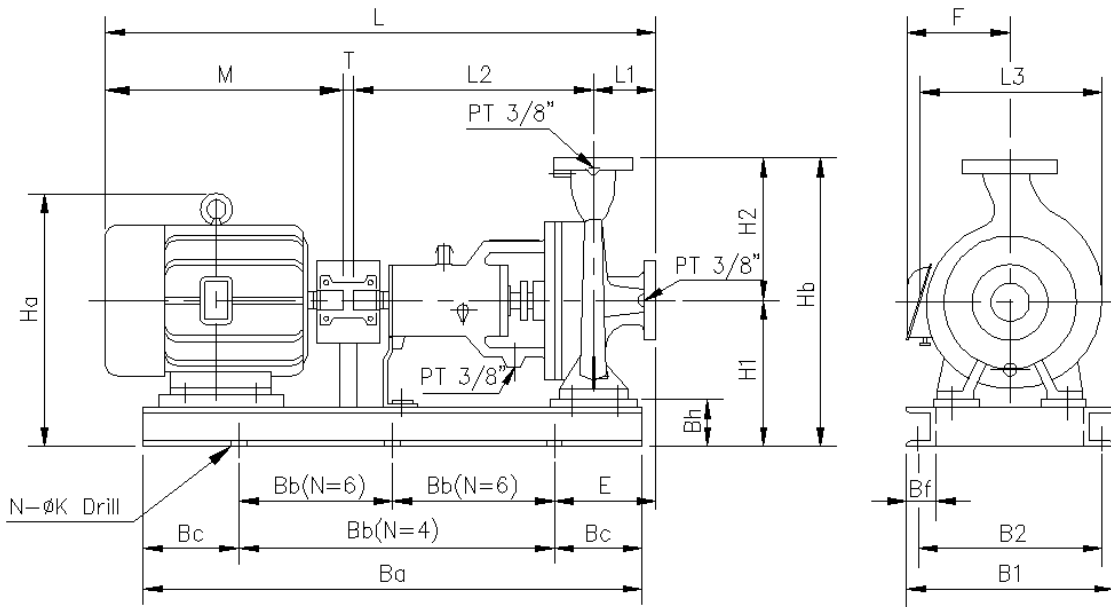
TYPE	Single Stage Volute
MODEL	PSV-1512E_IE2
SERVICE	

Outline Drawing

Sheet No.	
Customer	
Item No.	
Date	2017-03-24

SPECIFICATION

PUMP	CAPACITY	4000 l/min	MOTOR	OUTPUT	55 kW
	TOTAL HEAD	46 m		VOLTAGE	<input checked="" type="checkbox"/> 380V <input type="checkbox"/>
	SUCTION BORE	150 mm		FREQUENCY	60 Hz
	DISCHARGE BORE	125 mm		SPEED	1750 1/min
	LIQUID	WATER		TYPE	TEFC
	MAKER	WILO		MAKER	HIGEN



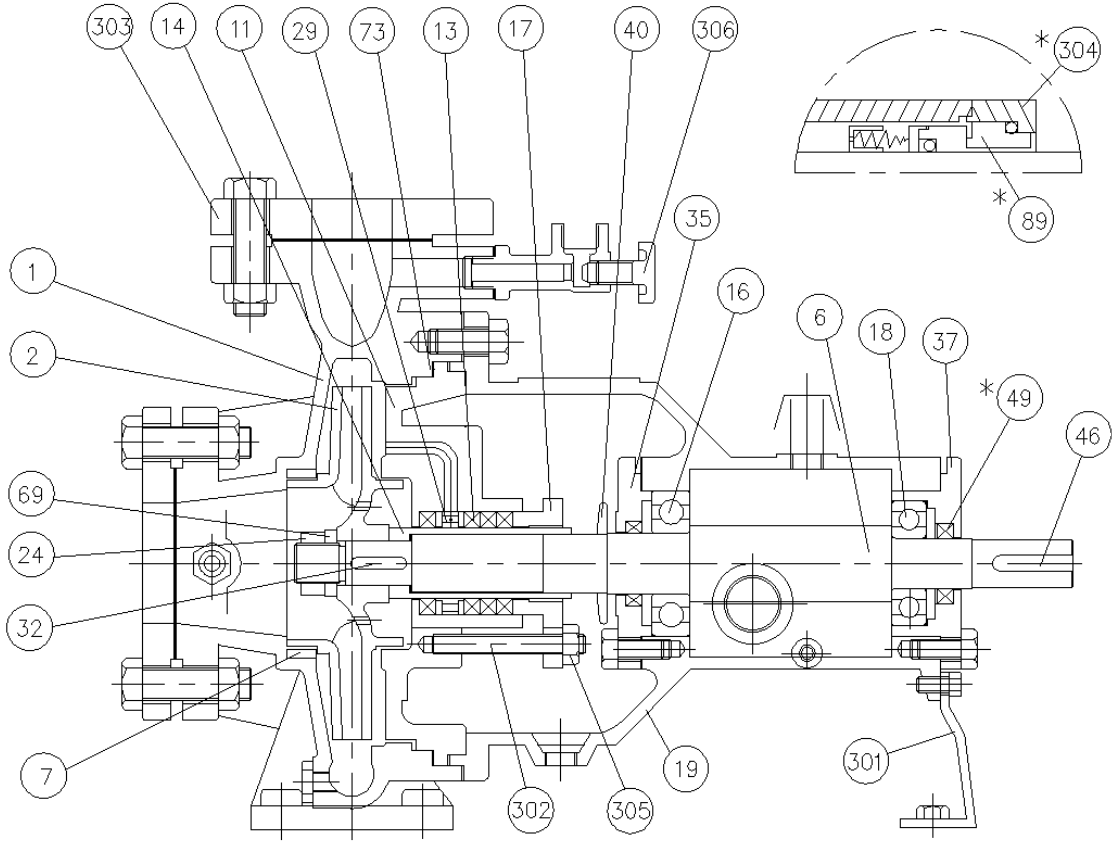
* Dimension of outline drawing subjects to change without prior notice.

L1	140	Hb	772	E	185
L2	530	Ha	715	B1	560
L3	495	Bh	137	B2	500
L	1509	T	4	N	6
M	835	Ba	1300	K	23
H1	417	Bb	500	F	425
H2	355	Bc	150	Bf	65

TYPE	Single Stage Volute
MODEL	PSV-1512E_IE2
SERVICE	

Sectional Drawing

Sheet No.	
Customer	
Item No.	
Date	2017-03-24



<REFERENCE>

* MARK : OPTION PARTS

MARK : SPARE PARTS

No.	Part Name	Material	Qt'y	No.	Part Name	Material	Qt'y
1	Casing	GC200	1	35	Bearing Cover(A)	GC200	1
#2	Impeller	GC200	1	37	Bearing Cover(B)	GC200	1
6	Shaft	SM45C	1	40	Deflector	NR610	1
7	Casing Ring	GC200	1	46	Coupling Key	SM45C	1
11	Casing Cover	GC200	1	*49	Oil Seal	NBR	2
13	Gland Packing	Fabric	4	69	Impeller Washer	STS304	1
#14	Sleeve	STS304	1	#73	Casing Gasket	NBR	1
#16	Ball Bearing(A)	STB2	1	*89	Mechanical Seal	-	1
17	Gland	GC200	1	301	Support	SCP1	1
#18	Ball Bearing(B)	STB2	1	302	Gland Bolt	STS304	2/4
19	Bearing Housing	GC200	1	*303	Companion Flange	-	
24	Impeller Nut	STS304	1	*304	M/Seal Cover	SM45C	1
29	Lantern Ring	NORYL/HBsC1	1	305	Nut	C3602BD	2/4
#32	Impeller Key	SM45C	1	306	Priming Pipe	HBsC1	1

TYPE	Single Stage Volute
MODEL	PSV-1512E_IE2
SERVICE	