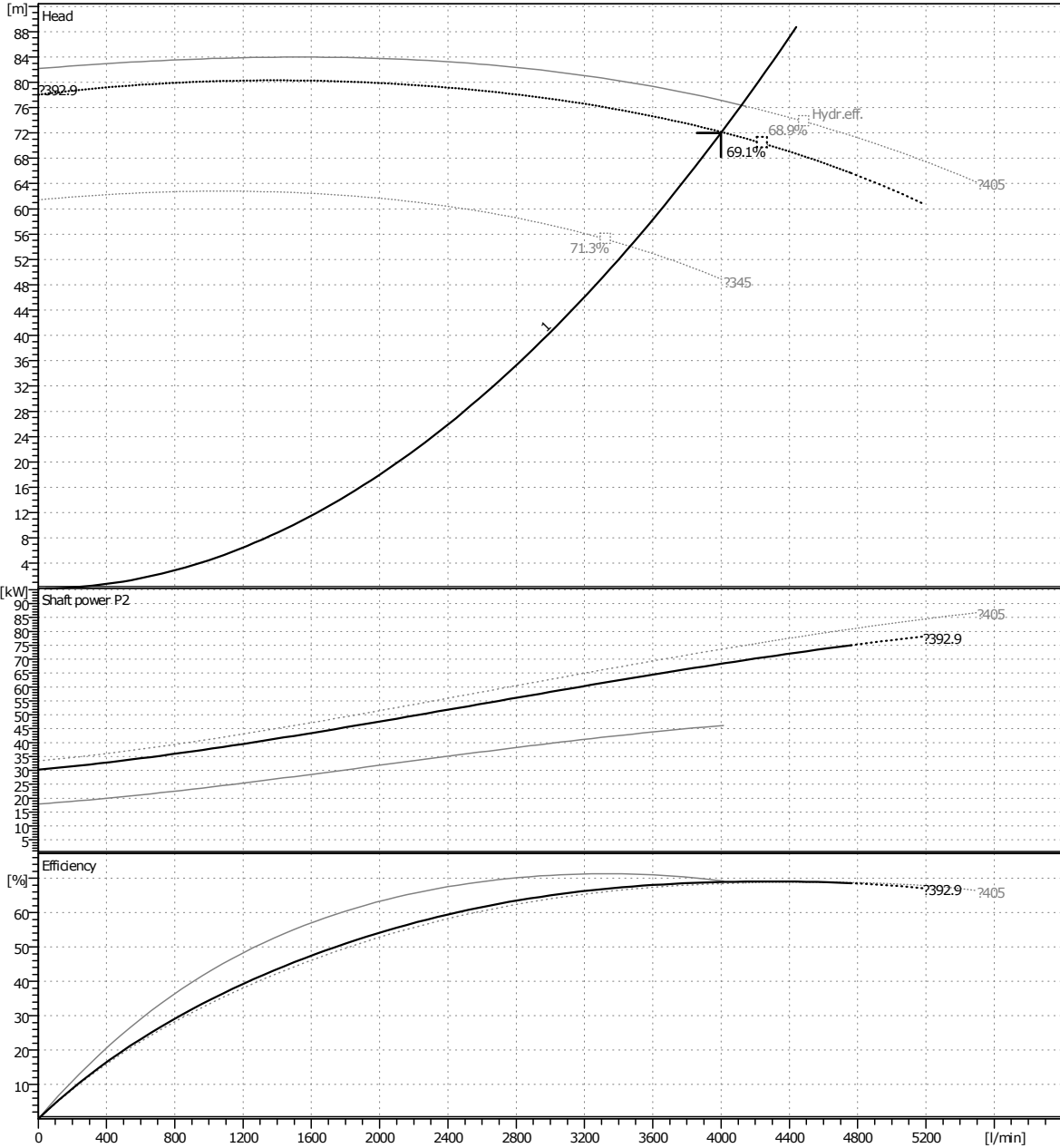


wilo Pump Data Sheet						Sheet No.	
						Customer	
						Item No.	
						Date	2017-03-24
1	MODEL	PSV-1512F		Title			
2	Location			Agent			
3	Service			Plant Name			
4	Quantity	Set(s)		Installation	<input checked="" type="checkbox"/> Indoor <input type="checkbox"/> Outdoor		
5	OPERATING CONDITION						
6	Liquid	Water		Flow	4000 l/min		
7	Pumping Temp.	Ambient		Suc. Pressure			
8	S.G.	1		Dis. Pressure			
9	Vap. Pressure	0.03kg/cm2A at 24?		Diff. Pressure			
10	Viscosity	1 cP		Total Head	72 m		
11	PERFORMANCE AND CONSTRUCTION					MATERIAL	
12	Horizontal		Efficiency	68.9 %	Part Name	Symbol	
13	No. of Stages	1	Rated Power	68.4 kW	Casing&Cover	GC200	
14	Speed	1750 rpm	NPSHre		Casing Ring	GC200	
15	Rotation	CW (view from drive end)			Impeller	GC200	
16	BORE	Size(Dia)	Rating	Face	Position	Shaft	SM45C
17	Suction	150 mm	10kgf/cm2	RF	End	Sleeve	STS304
18	Discharge	125 mm	10kgf/cm2	RF	Top	B/R Housing	GC200
19	Impeller Type	Closed	Single Stage Volute		HYDROSTATIC		
20	Flow Direction	Radial		Casing		3 min	
21	Shaft Seal	M/Seal	Shaft Sleeve	Yes	Jacket		3 min
22	Mounting	Foot		TESTING			
23	Lubrication	<input checked="" type="checkbox"/> Grease <input type="checkbox"/> Oil Bath		Items		Witness	
24	Cooling	<input type="checkbox"/> Stuff.Box <input type="checkbox"/> B/R Housing <input checked="" type="checkbox"/> No Cooling		Run Perform.	<input checked="" type="checkbox"/> Yes <input type="checkbox"/> No	<input type="checkbox"/> Yes <input checked="" type="checkbox"/> No	
25	Radial Bearing	6409zzC3	Thrust Bearing	6410zzC3	Hydrostatic(Air Press.)	<input checked="" type="checkbox"/> Yes <input type="checkbox"/> No	<input type="checkbox"/> Yes <input checked="" type="checkbox"/> No
26	MOTOR SPECIFICATION					SPARE PART	
27	Maker	HIGEN	Phase / V / Hz	3~ <input checked="" type="checkbox"/> 380V <input type="checkbox"/> ~60 Hz		Set(s)	
28	Type	TEFC	Motor Frame No.	250 S		Set(s)	
29	Power	75 kW	Furnished by	<input checked="" type="checkbox"/> WILO <input type="checkbox"/> Customer		Set(s)	
30	No. of Pole	4 P	Mounted by	<input checked="" type="checkbox"/> WILO <input type="checkbox"/> Customer		Set(s)	
31	Insulation	<input checked="" type="checkbox"/> F <input type="checkbox"/>	Enclosure	<input checked="" type="checkbox"/> IP 55 <input type="checkbox"/>		Set(s)	
32	ACCESSORY(<input checked="" type="checkbox"/>Supplied : WILO)					Set(s)	
33	<input checked="" type="checkbox"/> Common Base	Steel Channel				Set(s)	
34	<input type="checkbox"/> Foundation Bolts & Nuts					Set(s)	
35	<input checked="" type="checkbox"/> Coupling	<input checked="" type="checkbox"/> Flange <input type="checkbox"/>	<input checked="" type="checkbox"/> Coupling Guard			Set(s)	
36	<input type="checkbox"/> Pressure Guage					Set(s)	
37	<input type="checkbox"/> Plug for Drain & Air vent.					Set(s)	
38	<input type="checkbox"/> Seal Flushing					Set(s)	
39	M/Seal	Maker	KSM	Model & Size	S1A /55	Set(s)	
40		Type	Unbalanced	Cooler	<input type="checkbox"/> Yes <input checked="" type="checkbox"/> No	Set(s)	
41		API 610 Plan				WEIGHT	
42		Material Code	Ceramic/Carbon,Viton			Pump	130 kg
43	<input type="checkbox"/> Companion Flanges					Bed	100 kg
44	<input type="checkbox"/> Special Tool					Motor	500 kg
						Total wt.	730 kg
*Pump test acceptance grade in accordance with ISO 9906:2012, Grade 2B.							

Estimated Performance Curve

Sheet No.	
Customer	
Item No.	
Date	2017-03-24

SPECIFICATION			
PUMP	CAPACITY	4000 l/min	MOTOR
	TOTAL HEAD	72 m	
	SUCTION BORE	150 mm	
	DISCHARGE BORE	125 mm	
	LIQUID	WATER	
	MAKER	WILO	
	OUTPUT	75 kW	
	VOLTAGE	<input checked="" type="checkbox"/> 380V <input type="checkbox"/>	
	FREQUENCY	60 Hz	
	SPEED	1750 1/min	
	TYPE	TEFC	
	MAKER	HIGEN	



* Pump test acceptance grade in accordance with ISO 9906:2012, Grade 2B.

* Subject to change without prior notice.

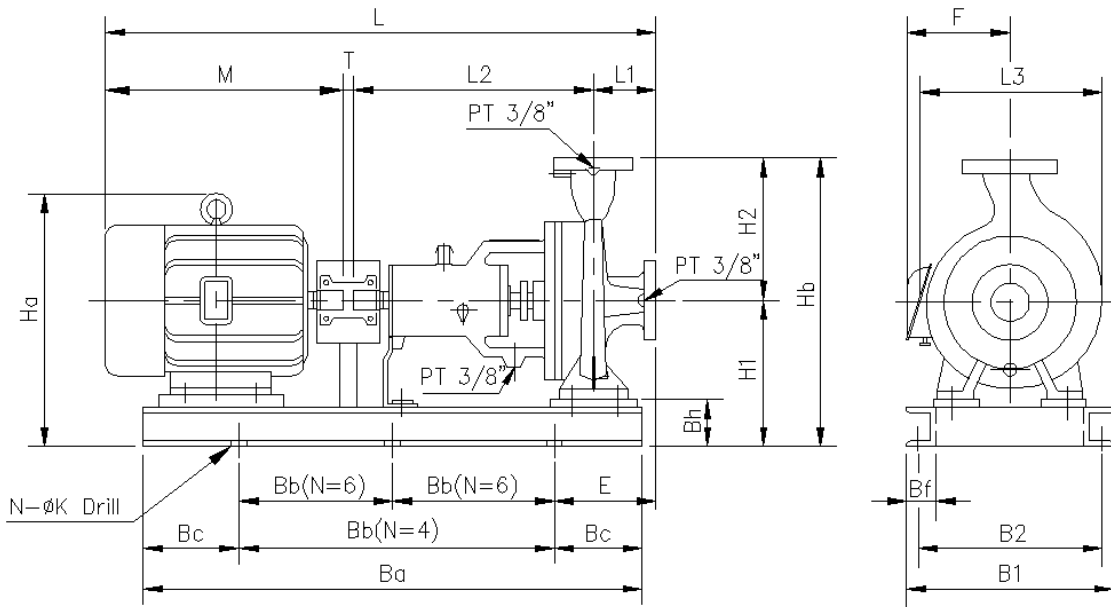
TYPE	Single Stage Volute
MODEL	PSV-1512F
SERVICE	

Outline Drawing

Sheet No.	
Customer	
Item No.	
Date	2017-03-24

SPECIFICATION

PUMP	CAPACITY	4000 l/min	MOTOR	OUTPUT	75 kW
	TOTAL HEAD	72 m		VOLTAGE	<input checked="" type="checkbox"/> 380V <input type="checkbox"/>
	SUCTION BORE	150 mm		FREQUENCY	60 Hz
	DISCHARGE BORE	125 mm		SPEED	1750 1/min
	LIQUID	WATER		TYPE	TEFC
	MAKER	WILO		MAKER	HIGEN

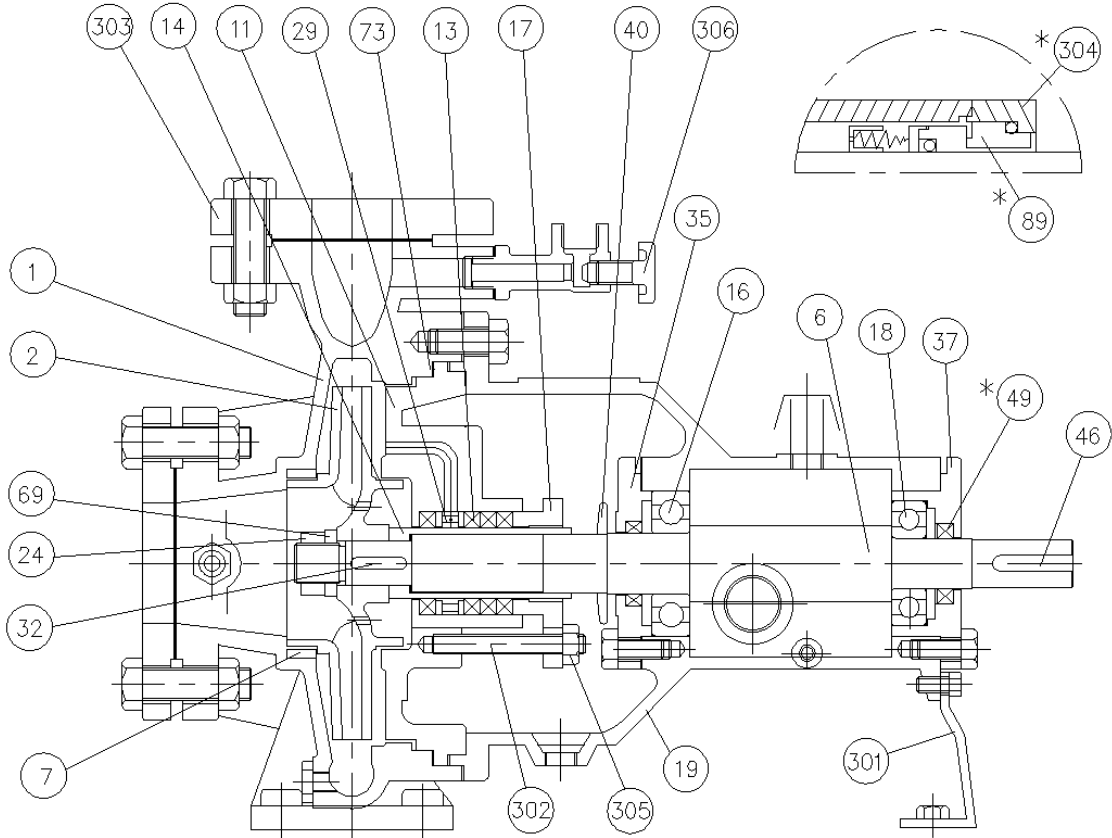


L1	140	Hb	850	E	185
L2	530	Ha	782	B1	570
L3	563	Bh	135	B2	505
L	1560	T	4	N	6
M	886	Ba	1450	K	23
H1	450	Bb	550	F	440
H2	400	Bc	175	Bf	65

TYPE	Single Stage Volute
MODEL	PSV-1512F
SERVICE	

Sectional Drawing

Sheet No.	
Customer	
Item No.	
Date	2017-03-24



<REFERENCE>

* MARK : OPTION PARTS

MARK : SPARE PARTS

No.	Part Name	Material	Qt'y	No.	Part Name	Material	Qt'y
1	Casing	GC200	1	35	Bearing Cover(A)	GC200	1
#2	Impeller	GC200	1	37	Bearing Cover(B)	GC200	1
6	Shaft	SM45C	1	40	Deflector	NR610	1
7	Casing Ring	GC200	1	46	Coupling Key	SM45C	1
11	Casing Cover	GC200	1	*49	Oil Seal	NBR	2
13	Gland Packing	Fabric	4	69	Impeller Washer	STS304	1
#14	Sleeve	STS304	1	#73	Casing Gasket	NBR	1
#16	Ball Bearing(A)	STB2	1	*89	Mechanical Seal		1
17	Gland	GC200	1	301	Support	GC200	1
#18	Ball Bearing(B)	STB2	1	302	Gland Bolt	STS304	2/4
19	Bearing Housing	GC200	1	*303	Companion Flange		
24	Impeller Nut	STS304	1	*304	M/Seal Cover	SM45C	1
29	Lantern Ring	NORYL/HBsC1	1	305	Nut	C3602BD	2/4
#32	Impeller Key	SM45C	1	306	Priming Pipe	HBsC1	1

TYPE	Single Stage Volute
MODEL	PSV-1512F
SERVICE	