

# wilo Pump Data Sheet

Sheet No.	
Customer	
Item No.	
Date	2017-03-24

1	<b>MODEL</b>	PSV-2015E		Title			
2	Location			Agent			
3	Service			Plant Name			
4	Quantity	Set(s)		Installation	<input checked="" type="checkbox"/> Indoor <input type="checkbox"/> Outdoor		
5	<b>OPERATING CONDITION</b>						
6	Liquid	Water		Flow	6330 l/min		
7	Pumping Temp.	Ambient		Suc. Pressure			
8	S.G.	1		Dis. Pressure			
9	Vap. Pressure	0.03kg/cm2A at 24?		Diff. Pressure			
10	Viscosity	1 cP		Total Head	44 m		
11	<b>PERFORMANCE AND CONSTRUCTION</b>				<b>MATERIAL</b>		
12	Horizontal		Efficiency	66.5 %	Part Name	Symbol	
13	No. of Stages	1	Rated Power	68.5 kW	Casing&Cover	GC200	
14	Speed	1750 rpm	NPSHre		Casing Ring	GC200	
15	Rotation	CW (view from drive end)			Impeller	GC200	
16	<b>BORE</b>	Size(Dia)	Rating	Face	Position	Shaft	
17	Suction	200 mm	10kgf/cm2	RF	End	Sleeve	
18	Discharge	150 mm	10kgf/cm2	RF	Top	B/R Housing	
19	Impeller Type	Closed	Single Stage Volute		<b>HYDROSTATIC</b>		
20	Flow Direction	Radial		Casing		3 min	
21	Shaft Seal	M/Seal	Shaft Sleeve	Yes	Jacket	3 min	
22	Mounting	Foot			<b>TESTING</b>		
23	Lubrication	<input checked="" type="checkbox"/> Grease <input type="checkbox"/> Oil Bath		Items		Witness	
24	Cooling	<input type="checkbox"/> Stuff.Box <input type="checkbox"/> B/R Housing <input checked="" type="checkbox"/> No Cooling		Run Perform.	<input checked="" type="checkbox"/> Yes <input type="checkbox"/> No	<input type="checkbox"/> Yes <input checked="" type="checkbox"/> No	
25	Radial Bearing	6409zzC3	Thrust Bearing	6410zzC3	Hydrostatic(Air Press.)	<input checked="" type="checkbox"/> Yes <input type="checkbox"/> No <input type="checkbox"/> Yes <input checked="" type="checkbox"/> No	
26	<b>MOTOR SPECIFICATION</b>				<b>SPARE PART</b>		
27	Maker	HIGEN	Phase / V / Hz	3~ <input checked="" type="checkbox"/> 380V <input type="checkbox"/> ~60 Hz		Set(s)	
28	Type	TEFC	Motor Frame No.	250 S		Set(s)	
29	Power	75 kW	Furnished by	<input checked="" type="checkbox"/> WILO <input type="checkbox"/> Customer		Set(s)	
30	No. of Pole	4 P	Mounted by	<input checked="" type="checkbox"/> WILO <input type="checkbox"/> Customer		Set(s)	
31	Insulation	<input checked="" type="checkbox"/> F <input type="checkbox"/>	Enclosure	<input checked="" type="checkbox"/> IP 55 <input type="checkbox"/>		Set(s)	
32	<b>ACCESSORY(<input checked="" type="checkbox"/>Supplied : WILO)</b>					Set(s)	
33	<input checked="" type="checkbox"/> Common Base	Steel Channel					Set(s)
34	<input type="checkbox"/> Foundation Bolts & Nuts					Set(s)	
35	<input checked="" type="checkbox"/> Coupling	<input checked="" type="checkbox"/> Flange <input type="checkbox"/>	<input checked="" type="checkbox"/> Coupling Guard			Set(s)	
36	<input type="checkbox"/> Pressure Guage					Set(s)	
37	<input type="checkbox"/> Plug for Drain & Air vent.					Set(s)	
38	<input type="checkbox"/> Seal Flushing					Set(s)	
39	M/Seal	Maker	KSM	Model & Size	S1A /55	Set(s)	
40		Type	Unbalanced	Cooler	<input type="checkbox"/> Yes <input checked="" type="checkbox"/> No	Set(s)	
41		API 610 Plan					
42		Material Code	Ceramic/Carbon,Viton			<b>WEIGHT</b>	
43	<input type="checkbox"/> Companion Flanges				Pump	128 kg	
44	<input type="checkbox"/> Special Tool				Bed	105 kg	
					Motor	500 kg	
					Total wt.	733 kg	

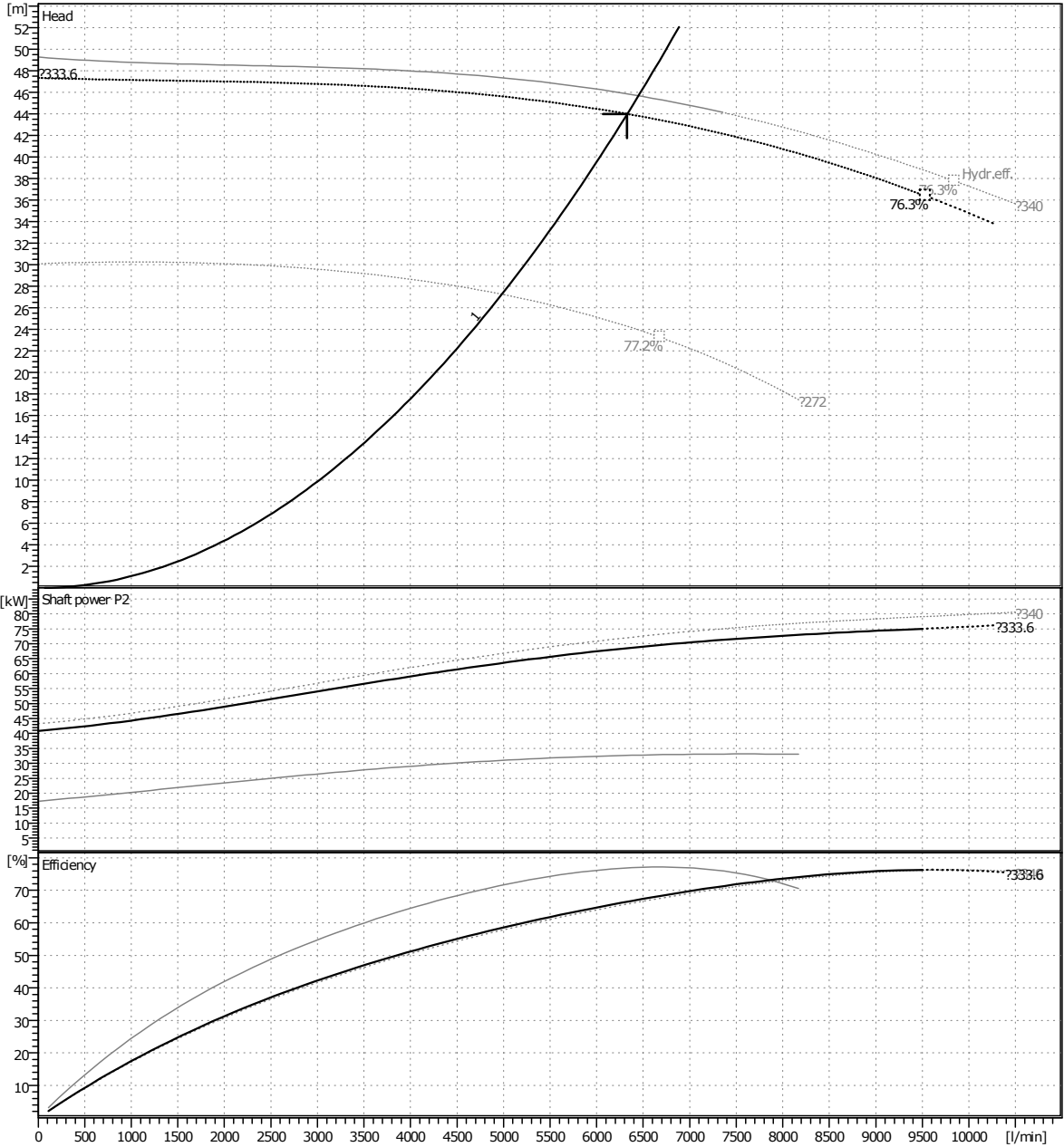
\*Pump test acceptance grade in accordance with ISO 9906:2012, Grade 2B.

# Estimated Performance Curve

Sheet No.	
Customer	
Item No.	
Date	2017-03-24

## SPECIFICATION

PUMP	CAPACITY	6330 l/min	MOTOR	OUTPUT	75 kW
	TOTAL HEAD	44 m		VOLTAGE	<input checked="" type="checkbox"/> 380V <input type="checkbox"/>
	SUCTION BORE	200 mm		FREQUENCY	60 Hz
	DISCHARGE BORE	150 mm		SPEED	1750 1/min
	LIQUID	WATER		TYPE	TEFC
	MAKER	WILO		MAKER	HIGEN



\* Pump test acceptance grade in accordance with ISO 9906:2012, Grade 2B.

\* Subject to change without prior notice.

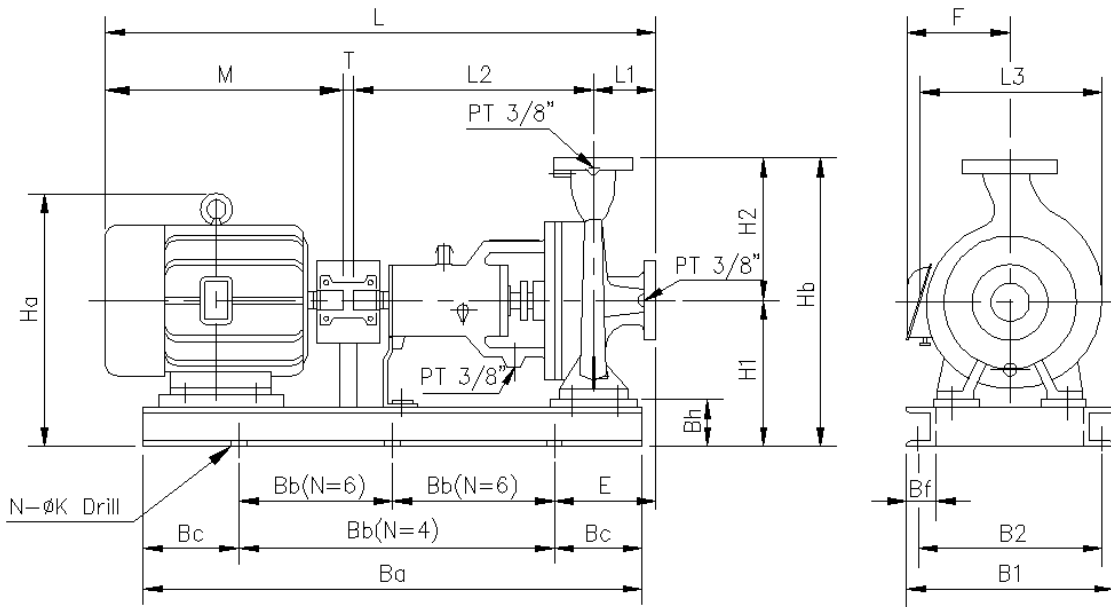
TYPE	Single Stage Volute
MODEL	PSV-2015E
SERVICE	

# Outline Drawing

Sheet No.	
Customer	
Item No.	
Date	2017-03-24

## SPECIFICATION

<b>PUMP</b>	CAPACITY	6330 l/min	<b>MOTOR</b>	OUTPUT	75 kW
	TOTAL HEAD	44 m		VOLTAGE	<input checked="" type="checkbox"/> 380V <input type="checkbox"/>
	SUCTION BORE	200 mm		FREQUENCY	60 Hz
	DISCHARGE BORE	150 mm		SPEED	1750 1/min
	LIQUID	WATER		TYPE	TEFC
	MAKER	WILO		MAKER	HIGEN



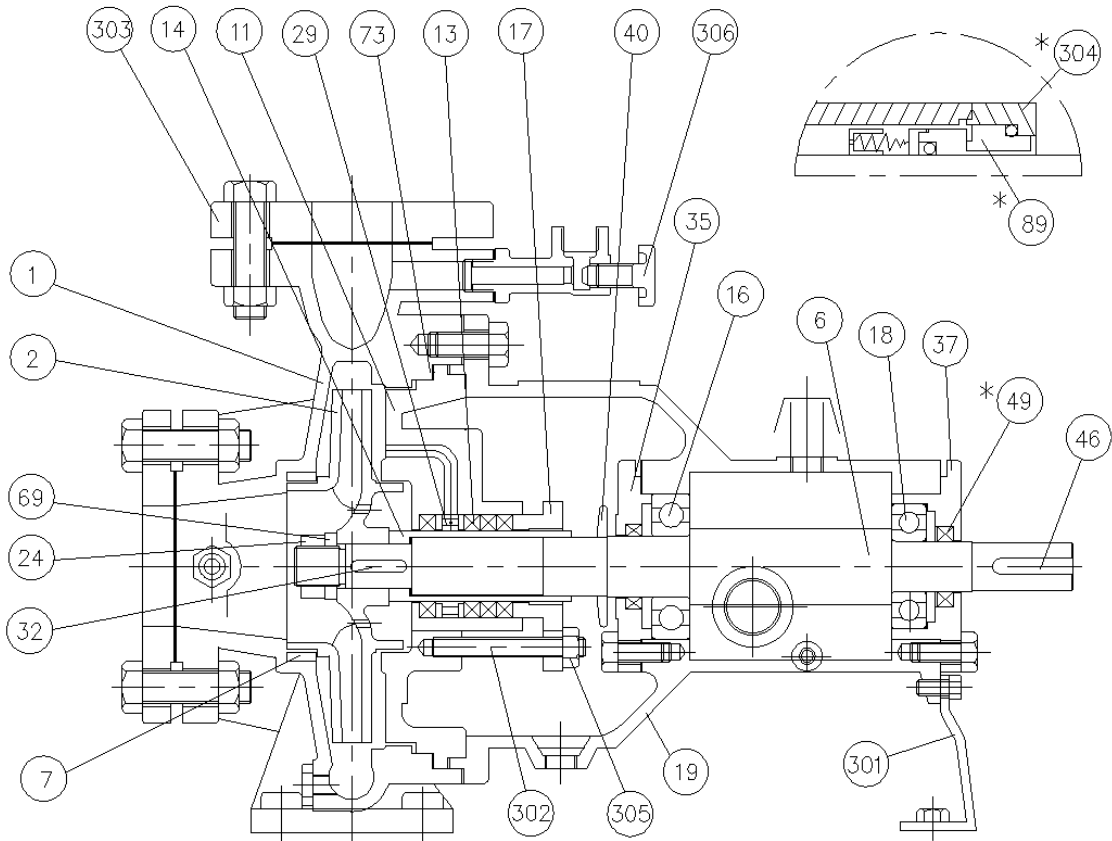
\* Dimension of outline drawing subjects to change without prior notice.

L1	160	Hb	855	E	218
L2	530	Ha	787	B1	610
L3	600	Bh	140	B2	550
L	1580	T	4	N	6
M	886	Ba	1450	K	23
H1	455	Bb	550	F	440
H2	400	Bc	175	Bf	65

TYPE	Single Stage Volute
MODEL	PSV-2015E
SERVICE	

# Sectional Drawing

Sheet No.	
Customer	
Item No.	
Date	2017-03-24



<REFERENCE>

\* MARK : OPTION PARTS

# MARK : SPARE PARTS

No.	Part Name	Material	Qt'y	No.	Part Name	Material	Qt'y
1	Casing	GC200	1	35	Bearing Cover(A)	GC200	1
#2	Impeller	GC200	1	37	Bearing Cover(B)	GC200	1
6	Shaft	SM45C	1	40	Deflector	NR610	1
7	Casing Ring	GC200	1	46	Coupling Key	SM45C	1
11	Casing Cover	GC200	1	*49	Oil Seal	NBR	2
13	Gland Packing	Fabric	4	69	Impeller Washer	STS304	1
#14	Sleeve	STS304	1	#73	Casing Gasket	NBR	1
#16	Ball Bearing(A)	STB2	1	*89	Mechanical Seal	-	1
17	Gland	GC200	1	301	Support	SCP1	1
#18	Ball Bearing(B)	STB2	1	302	Gland Bolt	STS304	2/4
19	Bearing Housing	GC200	1	*303	Companion Flange	-	
24	Impeller Nut	STS304	1	*304	M/Seal Cover	SM45C	1
29	Lantern Ring	NORYL/HBsC1	1	305	Nut	C3602BD	2/4
#32	Impeller Key	SM45C	1	306	Priming Pipe	HBsC1	1

TYPE	Single Stage Volute
MODEL	PSV-2015E
SERVICE	