

wilo Pump Data Sheet

Sheet No.	
Customer	
Item No.	
Date	2017-03-24

1	MODEL	PSV-2520E		Title		
2	Location			Agent		
3	Service			Plant Name		
4	Quantity	Set(s)		Installation	<input checked="" type="checkbox"/> Indoor <input type="checkbox"/> Outdoor	
5	OPERATING CONDITION					
6	Liquid	Water		Flow	13000 l/min	
7	Pumping Temp.	Ambient		Suc. Pressure		
8	S.G.	1		Dis. Pressure		
9	Vap. Pressure	0.03kg/cm2A at 24?		Diff. Pressure		
10	Viscosity	1 cP		Total Head	35 m	
11	PERFORMANCE AND CONSTRUCTION				MATERIAL	
12	Horizontal		Efficiency	80.6 %	Part Name	Symbol
13	No. of Stages	1	Rated Power	92.6 kW	Casing&Cover	GC200
14	Speed	1750 rpm	NPSHre		Casing Ring	GC200
15	Rotation	CW (view from drive end)			Impeller	GC200
16	BORE	Size(Dia)	Rating	Face	Position	Shaft
17	Suction	250 mm	10kgf/cm2	RF	End	Sleeve
18	Discharge	200 mm	10kgf/cm2	RF	Top	B/R Housing
19	Impeller Type	Closed	Single Stage Volute		HYDROSTATIC	
20	Flow Direction	Radial		Casing		3 min
21	Shaft Seal	M/Seal	Shaft Sleeve	Yes	Jacket	3 min
22	Mounting	Foot			TESTING	
23	Lubrication	<input checked="" type="checkbox"/> Grease <input type="checkbox"/> Oil Bath		Items		Witness
24	Cooling	<input type="checkbox"/> Stuff.Box <input type="checkbox"/> B/R Housing <input checked="" type="checkbox"/> No Cooling		Run Perform.	<input checked="" type="checkbox"/> Yes <input type="checkbox"/> No	<input type="checkbox"/> Yes <input checked="" type="checkbox"/> No
25	Radial Bearing	6312zzC3	Thrust Bearing	6412zzC3	Hydrostatic(Air Press.)	<input checked="" type="checkbox"/> Yes <input type="checkbox"/> No <input type="checkbox"/> Yes <input checked="" type="checkbox"/> No
26	MOTOR SPECIFICATION				SPARE PART	
27	Maker	HIGEN	Phase / V / Hz	3~ <input checked="" type="checkbox"/> 380V <input type="checkbox"/> ~60 Hz		Set(s)
28	Type	TEFC	Motor Frame No.	280 S		Set(s)
29	Power	110 kW	Furnished by	<input checked="" type="checkbox"/> WILO <input type="checkbox"/> Customer		Set(s)
30	No. of Pole	4 P	Mounted by	<input checked="" type="checkbox"/> WILO <input type="checkbox"/> Customer		Set(s)
31	Insulation	<input checked="" type="checkbox"/> F <input type="checkbox"/>	Enclosure	<input checked="" type="checkbox"/> IP 55 <input type="checkbox"/>		Set(s)
32	ACCESSORY(<input checked="" type="checkbox"/>Supplied : WILO)					Set(s)
33	<input checked="" type="checkbox"/> Common Base	Steel Channel				Set(s)
34	<input type="checkbox"/> Foundation Bolts & Nuts					Set(s)
35	<input checked="" type="checkbox"/> Coupling	<input checked="" type="checkbox"/> Flange <input type="checkbox"/>	<input checked="" type="checkbox"/> Coupling Guard			Set(s)
36	<input type="checkbox"/> Pressure Guage					Set(s)
37	<input type="checkbox"/> Plug for Drain & Air vent.					Set(s)
38	<input type="checkbox"/> Seal Flushing					Set(s)
39	M/Seal	Maker	KSM	Model & Size	S1A /65	Set(s)
40		Type	Unbalanced	Cooler	<input type="checkbox"/> Yes <input checked="" type="checkbox"/> No	Set(s)
41		API 610 Plan				
42		Material Code	Ceramic/Carbon,Viton			WEIGHT
43	<input type="checkbox"/> Companion Flanges				Pump	256 kg
44	<input type="checkbox"/> Special Tool				Bed	136 kg
					Motor	780 kg
					Total wt.	1172 kg

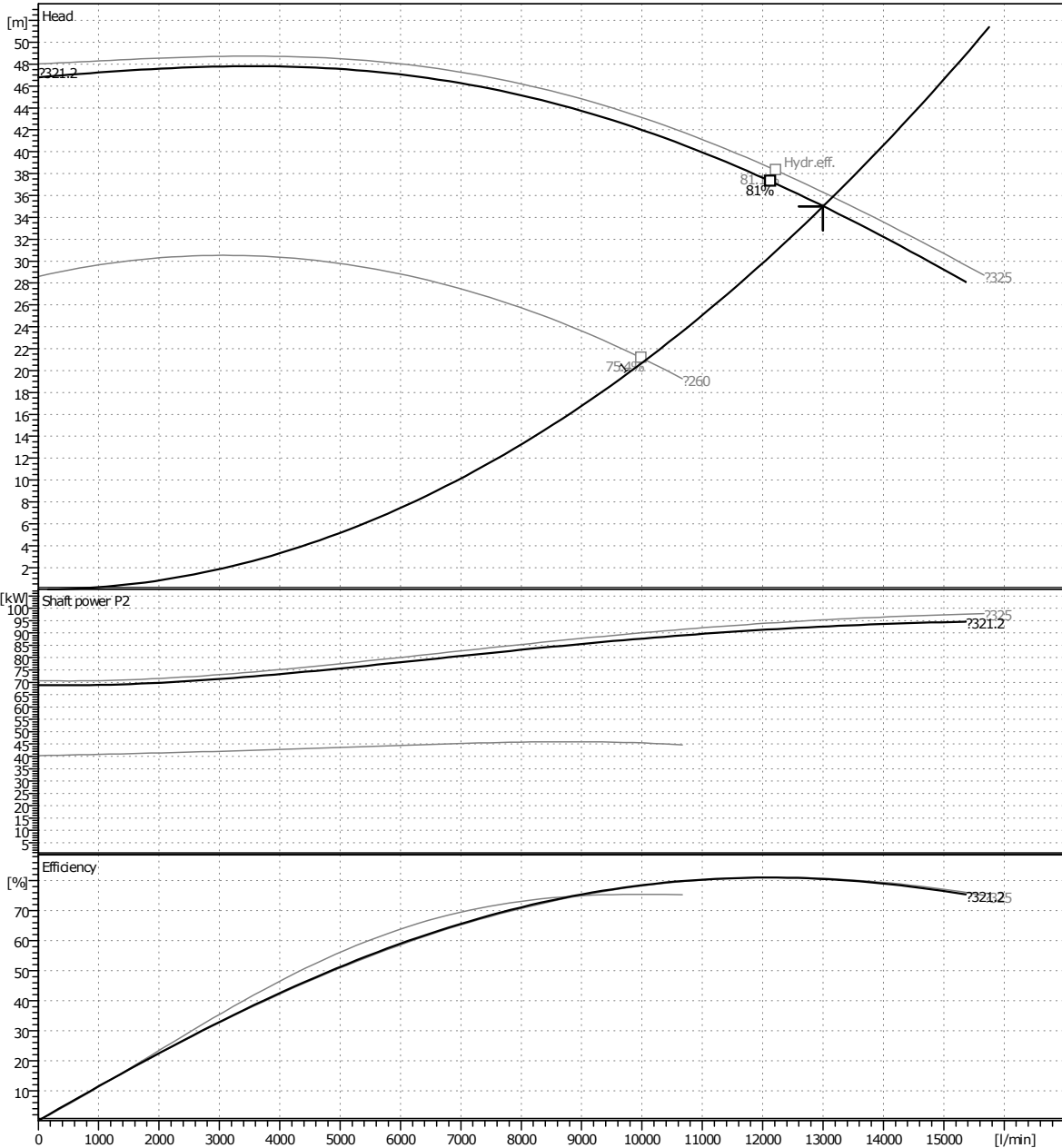
*Pump test acceptance grade in accordance with ISO 9906:2012, Grade 2B.

Estimated Performance Curve

Sheet No.	
Customer	
Item No.	
Date	2017-03-24

SPECIFICATION

PUMP		MOTOR	
CAPACITY	13000 l/min	OUTPUT	110 kW
TOTAL HEAD	35 m	VOLTAGE	<input checked="" type="checkbox"/> 380V <input type="checkbox"/>
SUCTION BORE	250 mm	FREQUENCY	60 Hz
DISCHARGE BORE	200 mm	SPEED	1750 1/min
LIQUID	WATER	TYPE	TEFC
MAKER	WILO	MAKER	HIGEN



* Pump test acceptance grade in accordance with ISO 9906:2012, Grade 2B.

* Subject to change without prior notice.

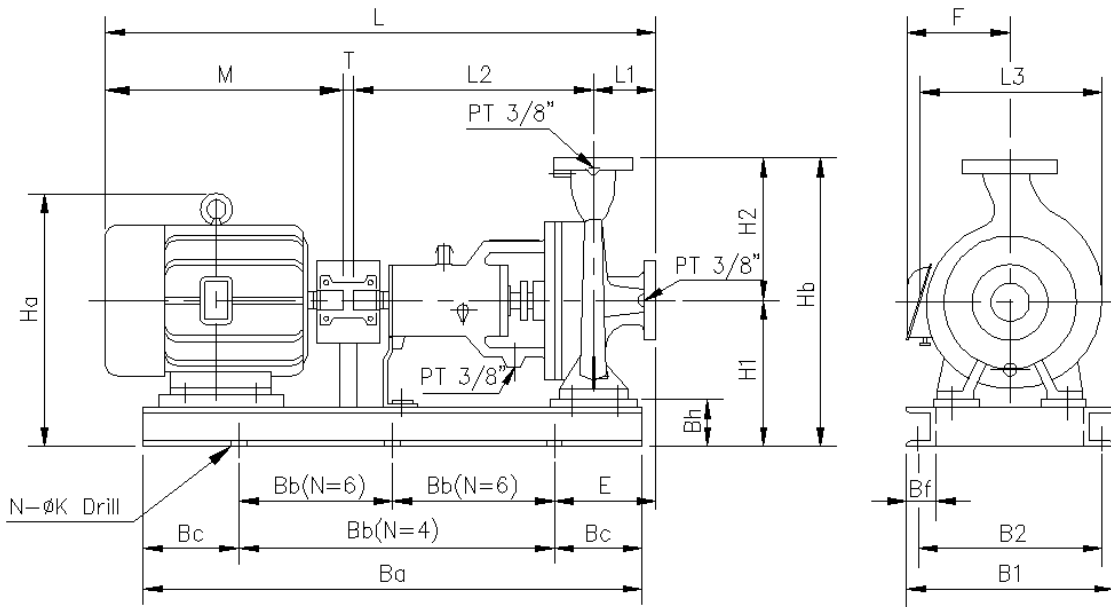
TYPE	Single Stage Volute
MODEL	PSV-2520E
SERVICE	

Outline Drawing

Sheet No.	
Customer	
Item No.	
Date	2017-03-24

SPECIFICATION

PUMP	CAPACITY	13000 l/min	MOTOR	OUTPUT	110 kW
	TOTAL HEAD	35 m		VOLTAGE	<input checked="" type="checkbox"/> 380V <input type="checkbox"/>
	SUCTION BORE	250 mm		FREQUENCY	60 Hz
	DISCHARGE BORE	200 mm		SPEED	1750 1/min
	LIQUID	WATER		TYPE	TEFC
	MAKER	WILO		MAKER	HIGEN

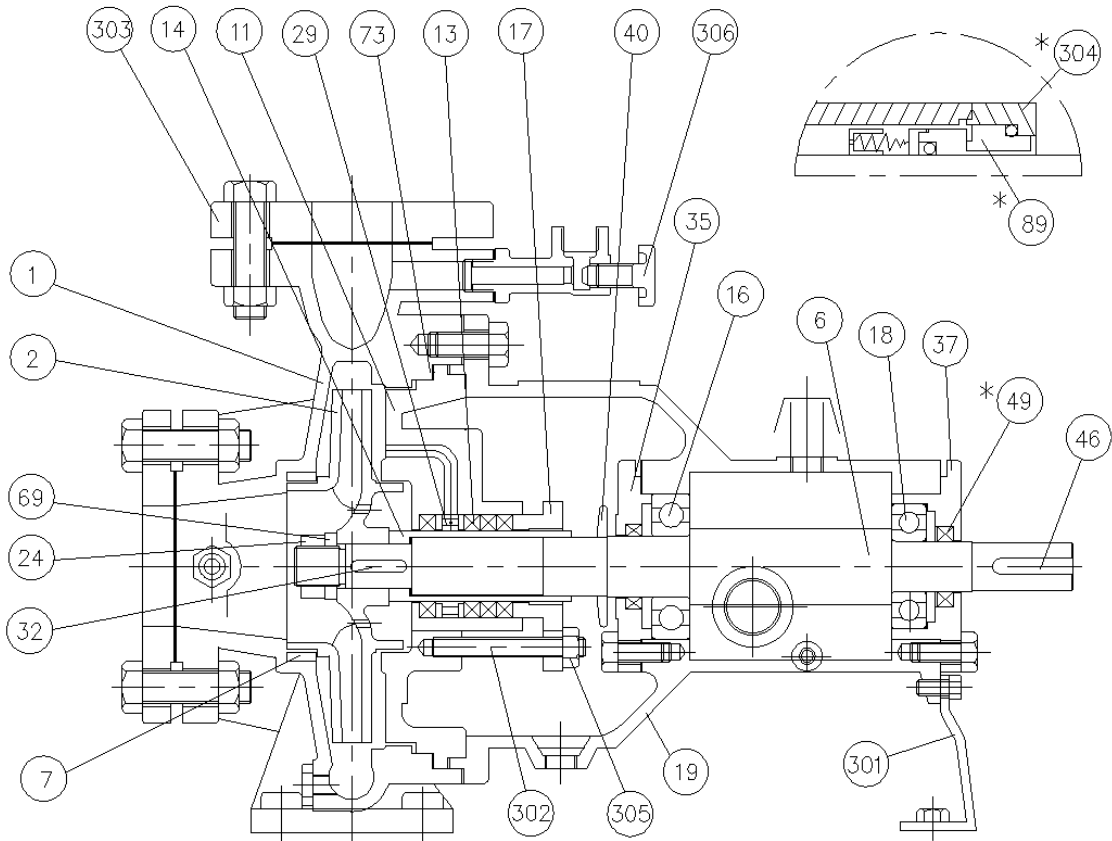


L1	200	Hb	935	E	290
L2	556	Ha	1065	B1	610
L3	595	Bh	155	B2	550
L	1856	T	4	N	6
M	1096	Ba	1600	K	23
H1	505	Bb	600	F	0
H2	430	Bc	200	Bf	65

TYPE	Single Stage Volute
MODEL	PSV-2520E
SERVICE	

Sectional Drawing

Sheet No.	
Customer	
Item No.	
Date	2017-03-24



<REFERENCE>

* MARK : OPTION PARTS

MARK : SPARE PARTS

No.	Part Name	Material	Qt'y	No.	Part Name	Material	Qt'y
1	Casing	GC200	1	35	Bearing Cover(A)	GC200	1
#2	Impeller	GC200	1	37	Bearing Cover(B)	GC200	1
6	Shaft	SM45C	1	40	Deflector	NR610	1
7	Casing Ring	GC200	1	46	Coupling Key	SM45C	1
11	Casing Cover	GC200	1	*49	Oil Seal	NBR	2
13	Gland Packing	Fabric	4	69	Impeller Washer	STS304	1
#14	Sleeve	STS304	1	#73	Casing Gasket	NBR	1
#16	Ball Bearing(A)	STB2	1	*89	Mechanical Seal		1
17	Gland	GC200	1	301	Support	GC200	1
#18	Ball Bearing(B)	STB2	1	302	Gland Bolt	STS304	2/4
19	Bearing Housing	GC200	1	*303	Companion Flange		
24	Impeller Nut	STS304	1	*304	M/Seal Cover	SM45C	1
29	Lantern Ring	NORYL/HBsC1	1	305	Nut	C3602BD	2/4
#32	Impeller Key	SM45C	1	306	Priming Pipe	HBsC1	1

TYPE	Single Stage Volute
MODEL	PSV-2520E
SERVICE	