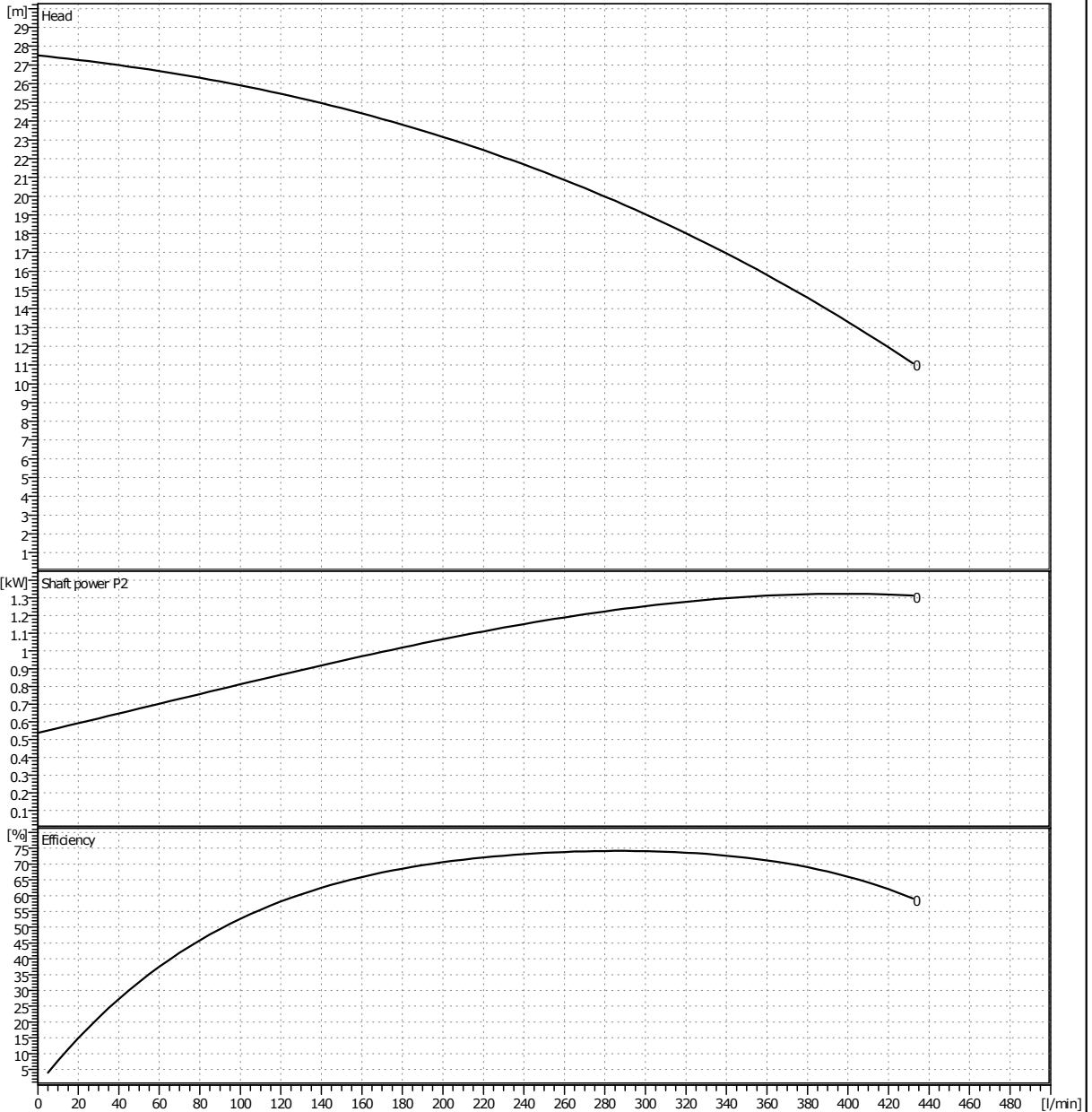


# Estimated Performance Curve

Sheet No.	
Customer	
Item No.	
Date	2017-03-07

<b>SPECIFICATION</b>					
<b>PUMP</b>	Capacity	260 lpm at 18 m	<b>MOTOR</b>	OUTPUT	1500W
	Total Head	25 m		VOLTAGE	220V
	SUCTION BORE	40 mm		FREQUENCY	60Hz
	DISCHARGE BORE	32 mm		SPEED	3450rpm
	LIQUID	WATER		TYPE	TEFC
	MAKER	WILO		MAKER	WILO

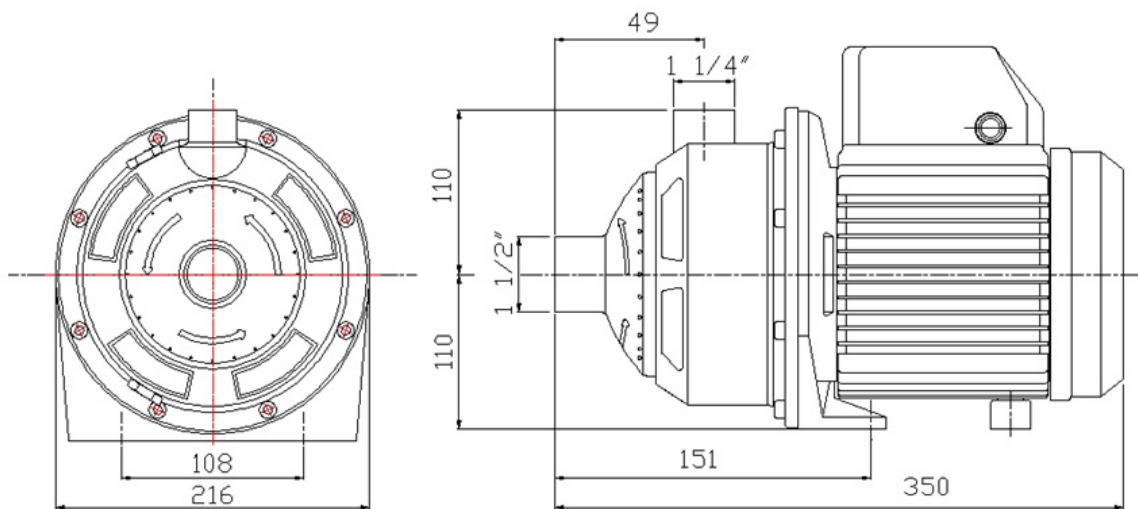


\* Performance curve of some models is subject to have 10% deviation.  
 \* Subject to change without prior notice.

TYPE	Horizontal Multi-stage
MODEL	HSS-1500M
SERVICE	

# Outline Drawing

Sheet No.	
Customer	
Item No.	
Date	2017-03-07



TYPE	Horizontal Multi-stage
MODEL	HSS-1500M
SERVICE	