

wilo Pump Data Sheet

Sheet No.	
Customer	
Item No.	
Date	2017-02-09

1	MODEL	Helix V1017 / PN25		Title			
2	Location			Agent			
3	Service			Plant Name			
4	Quantity	Set(s)		Installation	<input checked="" type="checkbox"/> Indoor <input type="checkbox"/> Outdoor		
5	OPERATING CONDITION						
6	Liquid	Water		Flow	0 l/min		
7	Pumping Temp.	Ambient		Suc. Pressure			
8	S.G.	1		Dis. Pressure			
9	Vap. Pressure	0.03kg/cm2A at 24?		Diff. Pressure			
10	Viscosity	1 cP		Total Head	0 m		
11	PERFORMANCE AND CONSTRUCTION					MATERIAL	
12	Vertical	Efficiency			%	Part Name	Symbol
13	No. of Stages	17	Rated Power			Casing	STS304
14	Speed	3550 rpm	NPSHre			Impeller	STS304L
15	Rotation	CW (view from drive end)				Shaft	STS304
16	Bore	Size(Dia)	Rating	Face	Position	Tube	STS304
17	Suction	40 mm	PN 25	RF	Side	Diffuser	STS304L
18	Discharge	40 mm	PN 25	RF	Side	Top Cover	STS304
19	Impeller Type	Closed	Vertical Multi-Stage		HYDROSTATIC		
20	Flow Direction	Radial			Casing		3 min
21	Shaft Seal	M/Seal	Shaft Sleeve	No	Jacket		3 min
22	Mounting	Foot			TESTING		
23	Lubrication	<input checked="" type="checkbox"/> Grease			Items		Witness
24	Cooling	<input checked="" type="checkbox"/> No Cooling			Run Perform.	<input checked="" type="checkbox"/> Yes <input type="checkbox"/> No	<input type="checkbox"/> Yes <input checked="" type="checkbox"/> No
25	Radial Bearing	-	Thrust Bearing	-	Hydrostatic(Air Press.)	<input checked="" type="checkbox"/> Yes <input type="checkbox"/> No	<input type="checkbox"/> Yes <input checked="" type="checkbox"/> No
26	MOTOR SPECIFICATION					SPARE PART	
27	Supplier	WILO	Phase / V / Hz	3~	380V	~ 60 Hz	Set(s)
28	Type	TEFC	Furnished by	<input checked="" type="checkbox"/> WILO	<input type="checkbox"/> Customer		Set(s)
29	Power	11 kW	Mounted by	<input checked="" type="checkbox"/> WILO	<input type="checkbox"/> Customer		Set(s)
30	No. of Pole	2 P	Enclosure	<input checked="" type="checkbox"/> IP 55	<input type="checkbox"/>		Set(s)
31	Insulation	<input checked="" type="checkbox"/> F <input type="checkbox"/>					Set(s)
32	ACCESSORY(<input checked="" type="checkbox"/>Supplied : WILO)						Set(s)
33	<input type="checkbox"/> Common Base						Set(s)
34	<input type="checkbox"/> Foundation Bolts & Nuts						Set(s)
35	<input checked="" type="checkbox"/> Coupling	Half (Rigid & Split Type)		<input checked="" type="checkbox"/> Coupling Guard			Set(s)
36	<input type="checkbox"/> Pressure Guage						Set(s)
37	<input checked="" type="checkbox"/> Plug for Drain & Air vent.						Set(s)
38	<input type="checkbox"/> Seal Flushing						Set(s)
39	M/Seal	Maker	Eagle-Burgmann	Model & Size	RMG12		Set(s)
40		Type	Unbalance	Cooler	<input type="checkbox"/> Yes <input checked="" type="checkbox"/> No		Set(s)
41		API 610 Plan					
42		Material Code	TC/Carbon,EPDM			WEIGHT	
43	<input type="checkbox"/> Companion Flanges					Pump	119.4 kg
44	<input type="checkbox"/> Special Tool						
						Total wt.	119.4 kg

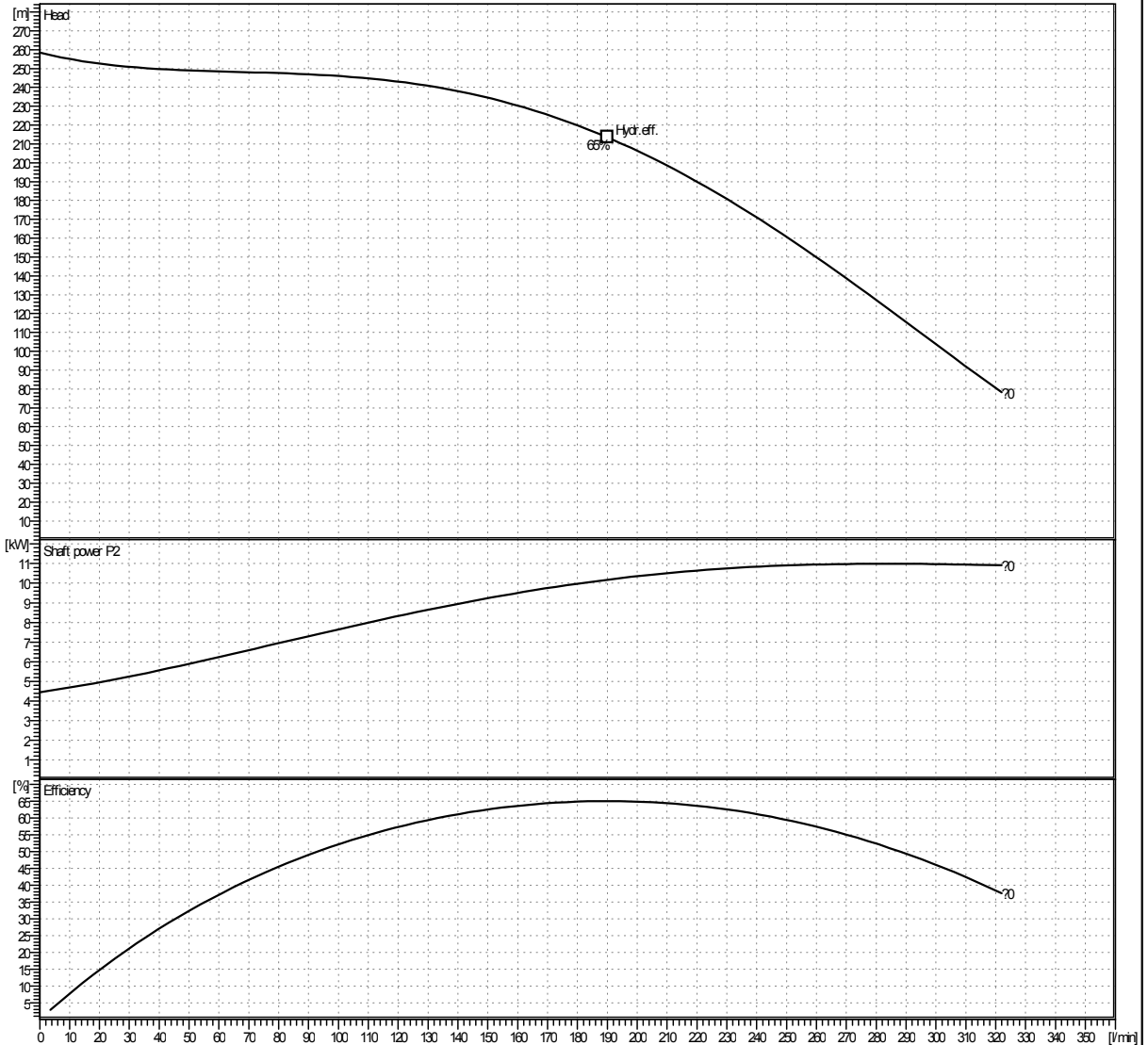
*Pump test acceptance grade in accordance with ISO 9906:2012, Grade 2B.

Estimated Performance Curve

Sheet No.	
Customer	
Item No.	
Date	2017-02-09

SPECIFICATION

PUMP		MOTOR	
CAPACITY	0 l/min	OUTPUT	11 kW
TOTAL HEAD	0 m	VOLTAGE	380V
SUCTION BORE	40 mm	FREQUENCY	60 Hz
DISCHARGE BORE	40 mm	SPEED	3550 1/min
LIQUID	WATER	TYPE	TEFC
MAKER	WILO	SUPPLIER	WILO



A/B Efficiency	Capacity	Efficiency(%)
A Efficiency	190.15 l/min	65
B Efficiency		

* Pump test acceptance grade in accordance with ISO 9906:2012, Grade 2B.

* Subject to change without prior notice.

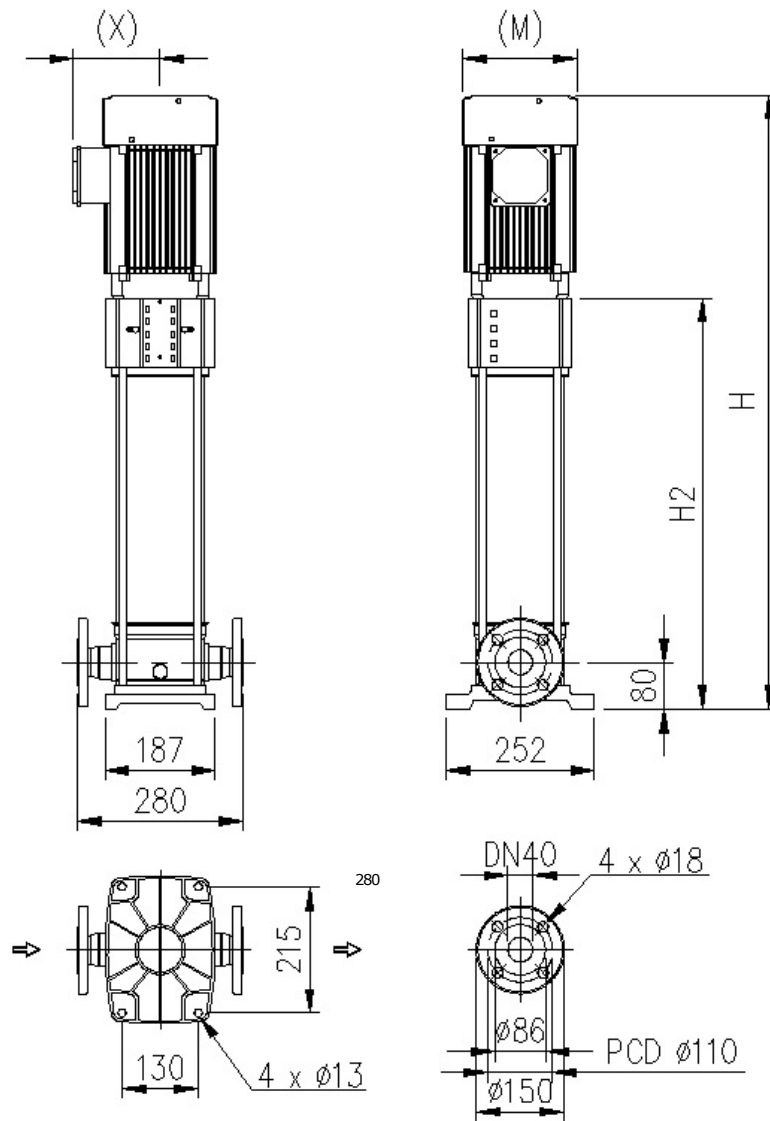
TYPE	Vertical Multi-Stage
MODEL	Helix V1017 / PN25
SERVICE	

Outline Drawing

Sheet No.	
Customer	
Item No.	
Date	2017-02-09

SPECIFICATION

PUMP	CAPACITY	0 l/min	MOTOR	OUTPUT	11 kW
	TOTAL HEAD	0 m		VOLTAGE	380V
	SUCTION BORE	40 mm		FREQUENCY	60 Hz
	DISCHARGE BORE	40 mm		SPEED	3550 1/min
	LIQUID	WATER		TYPE	TEFC
	MAKER	WILO		MAKER	WILO



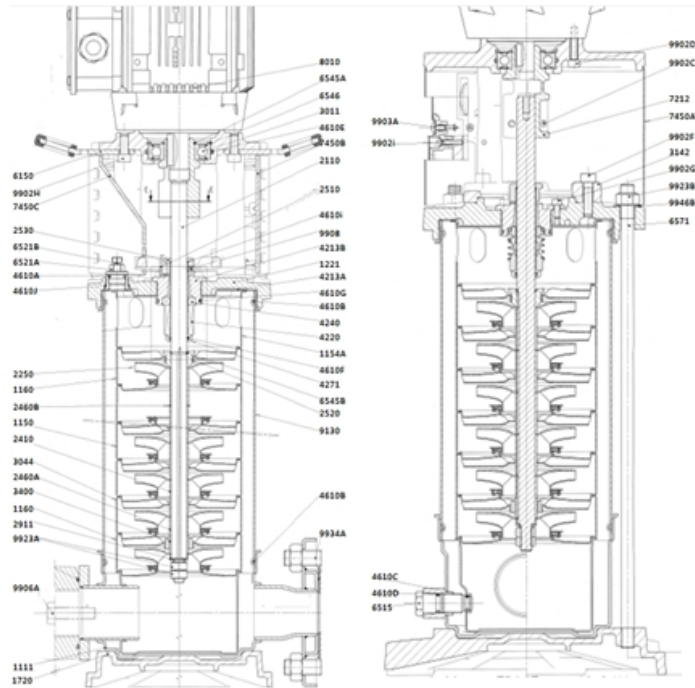
* Dimension of outline drawing subjects to change without prior notice.

H	1653	H2	1157	M	284	X	206
---	------	----	------	---	-----	---	-----

TYPE	Vertical Multi-Stage
MODEL	Helix V1017 / PN25
SERVICE	

Sectional Drawing

Sheet No.	
Customer	
Item No.	
Date	2017-02-09

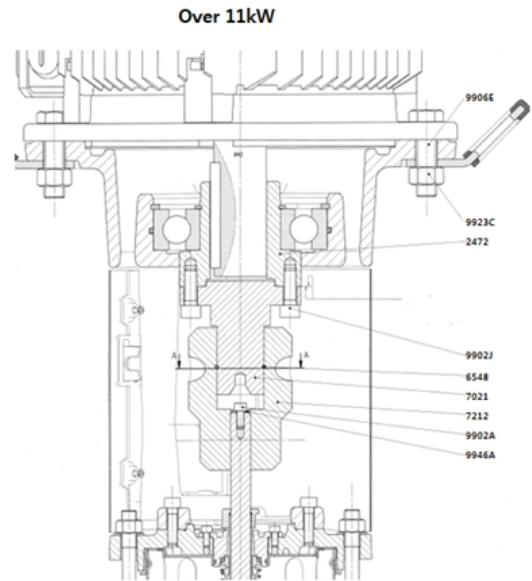
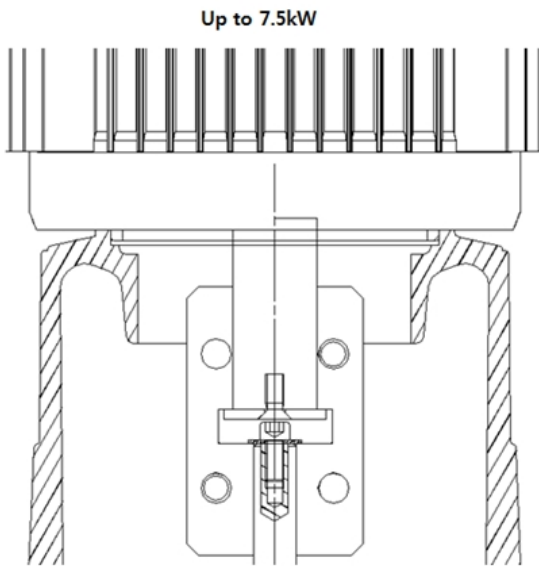


No.	Description	No.	Description
1111	Pump casing	2472	Hub
1150	Stage casing with return guide vane serial 10	654B	Stop-rush
1160	Stage casing without return guide vane serial 10	7021	Spacer
1160	Stage casing without return guide vane serial 10	7212	Coupling
1221	End shield	9902A	Shaft end upper screw
1720	Base	9902J	Screw for spacer
2110	Pump shaft aisi 316l-ø16 length = 255 mm	9906E	Screw fix. motor
2250	Impeller m+10	9946A	Washer under 9902A screw
2410	Spacer	9923C	Nut for fixing motor
2510	Setting shim shaft	4610A	O'ring for filling and venting plug
2520	Back-up ring(or Thrust ring)	4610B	O ring
2530	Drive ring for mechanical seal	4610C	O'ring drain and priming plug
2911	Shaft end washer	4610D	O'ring drain and priming plug
3011	Lantern ball bearing	4610E	O'ring ø63,10xø3,53 for ball bearing
3044	Bearing stage casing with return guide vane serial 10	4610F	O'ring
3142	Lantern	4610G	O'ring
4271	Shaft sleeve	4610I	O'ring
6150	Platinize handling	4610J	O'ring
6515	Drain and priming plug	4610K	O'ring
6521	Filing and venting plug	6545A	Crdip shaft for ball bearing
6546	Circlip(lantern ball bearing)	6545B	Half keeper(thrust ring)
6571	Tie bolt	7450A	Sheet coupling protector
8010	Motor	7450	Coupling guard support
9130	Tube	9902C	Screw for coupling
9908	Screw	9902D	Screw fix. motor
1154A	Discharge chamber with return guide vane serial 10	9902F	Screw fix. lantern/end shield
2460A	Sleeve spacer	9902G	Screw
2460B	Flat washer	9902H	Srew fix. Platinize handling
3400	Shaft sleeve	9902I	Plastic support screw
4213A	Assembled ring cover of mechanical seal	9906A	Screw
4213B	Mechanical seal ø18 ring holder	9923A	Shaft end nut
4220	Rotating part-mechanical seal	9923B	Nut for tie bolt
4240	Stationary part-mechanical seal	9934A	Bolt
		9946B	Washer under 9923B nut

TYPE	Vertical Multi-Stage
MODEL	Helix V1017 / PN25
SERVICE	

Sectional Drawing

Sheet No.	
Customer	
Item No.	
Date	2017-02-09



No.	Description
9906E	Screw fix. Motor
9923C	Motor fastening nut
2472	Hub
9902J	Screw for spacer
6548	Stop-rush
7021	Spacer
7212	Coupling

TYPE	Vertical Multi-Stage
MODEL	Helix V1017 / PN25
SERVICE	