

# wilo Pump Data Sheet

Sheet No.	
Customer	
Item No.	
Date	2017-02-09

1	<b>MODEL</b>	Helix V1604 / PN16		Title			
2	Location			Agent			
3	Service			Plant Name			
4	Quantity	Set(s)		Installation	<input checked="" type="checkbox"/> Indoor <input type="checkbox"/> Outdoor		
5	<b>OPERATING CONDITION</b>						
6	Liquid	Water		Flow	0 l/min		
7	Pumping Temp.	Ambient		Suc. Pressure			
8	S.G.	1		Dis. Pressure			
9	Vap. Pressure	0.03kg/cm2A at 24?		Diff. Pressure			
10	Viscosity	1 cP		Total Head	0 m		
11	<b>PERFORMANCE AND CONSTRUCTION</b>				<b>MATERIAL</b>		
12	Vertical	Efficiency			Part Name	Symbol	
13	No. of Stages	4	Rated Power			Casing	GC250
14	Speed	3550 rpm	NPSHre			Impeller	STS304L
15	Rotation	CW (view from drive end)			Shaft	STS304	
16	Bore	Size(Dia)	Rating	Face	Position	Tube	STS304
17	Suction	50 mm	PN 16	RF	Side	Diffuser	STS304L
18	Discharge	50 mm	PN 16	RF	Side	Top Cover	STS304
19	Impeller Type	Closed	Vertical Multi-Stage		<b>HYDROSTATIC</b>		
20	Flow Direction	Radial			Casing		3 min
21	Shaft Seal	M/Seal	Shaft Sleeve	No	Jacket		3 min
22	Mounting	Foot			<b>TESTING</b>		
23	Lubrication	<input checked="" type="checkbox"/> Grease			Items	Witness	
24	Cooling	<input checked="" type="checkbox"/> No Cooling			Run Perform.	<input checked="" type="checkbox"/> Yes <input type="checkbox"/> No	<input type="checkbox"/> Yes <input checked="" type="checkbox"/> No
25	Radial Bearing	-	Thrust Bearing	-	Hydrostatic(Air Press.)	<input checked="" type="checkbox"/> Yes <input type="checkbox"/> No	<input type="checkbox"/> Yes <input checked="" type="checkbox"/> No
26	<b>MOTOR SPECIFICATION</b>				<b>SPARE PART</b>		
27	Supplier	WILO	Phase / V / Hz	3~ 380V ~ 60 Hz			Set(s)
28	Type	TEFC	Furnished by	<input checked="" type="checkbox"/> WILO <input type="checkbox"/> Customer			Set(s)
29	Power	5.5 kW	Mounted by	<input checked="" type="checkbox"/> WILO <input type="checkbox"/> Customer			Set(s)
30	No. of Pole	2 P	Enclosure	<input checked="" type="checkbox"/> IP 55 <input type="checkbox"/>			Set(s)
31	Insulation	<input checked="" type="checkbox"/> F <input type="checkbox"/>					Set(s)
32	<b>ACCESSORY(<input checked="" type="checkbox"/>Supplied : WILO)</b>				Set(s)		
33	<input type="checkbox"/> Common Base				Set(s)		
34	<input type="checkbox"/> Foundation Bolts & Nuts				Set(s)		
35	<input checked="" type="checkbox"/> Coupling	Half (Rigid & Split Type)		<input checked="" type="checkbox"/> Coupling Guard	Set(s)		
36	<input type="checkbox"/> Pressure Guage				Set(s)		
37	<input checked="" type="checkbox"/> Plug for Drain & Air vent.				Set(s)		
38	<input type="checkbox"/> Seal Flushing				Set(s)		
39	M/Seal	Maker	Eagle-Burgmann	Model & Size	MG12		Set(s)
40		Type	Unbalanced	Cooler	<input type="checkbox"/> Yes <input checked="" type="checkbox"/> No		Set(s)
41		API 610 Plan			<b>WEIGHT</b>		
42	Material Code	SiC/Carbon,EPDM			Pump	65 kg	
43	<input type="checkbox"/> Companion Flanges						
44	<input type="checkbox"/> Special Tool						
					Total wt.	65 kg	

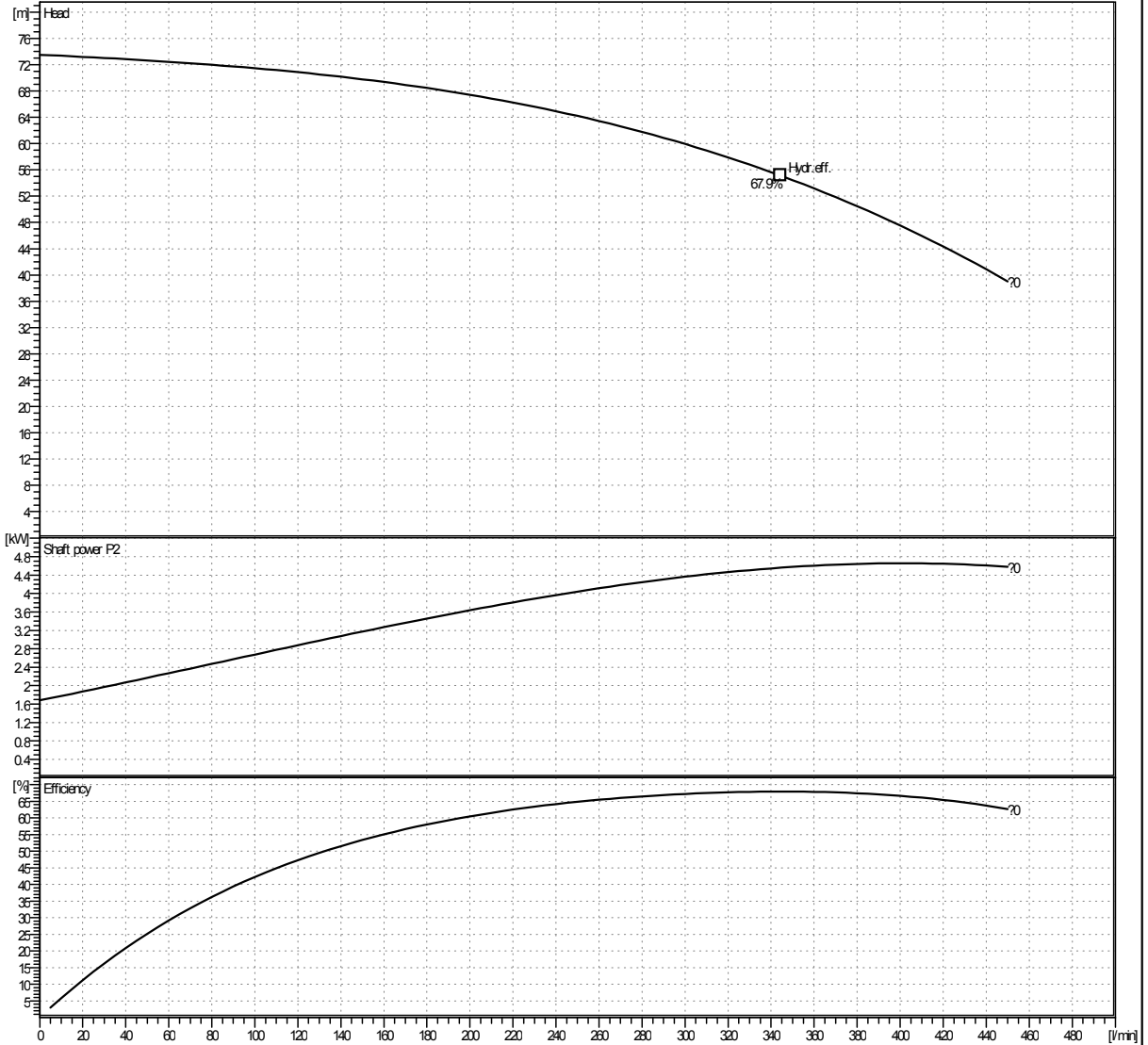
\*Pump test acceptance grade in accordance with ISO 9906:2012, Grade 2B.

# Estimated Performance Curve

Sheet No.	
Customer	
Item No.	
Date	2017-02-09

## SPECIFICATION

PUMP		MOTOR	
CAPACITY	0 l/min	OUTPUT	5.5 kW
TOTAL HEAD	0 m	VOLTAGE	380V
SUCTION BORE	50 mm	FREQUENCY	60 Hz
DISCHARGE BORE	50 mm	SPEED	3550 1/min
LIQUID	WATER	TYPE	TEFC
MAKER	WILO	SUPPLIER	WILO



A/B Efficiency	Capacity	Efficiency(%)
A Efficiency	344.52 l/min	67.9
B Efficiency		

\* Pump test acceptance grade in accordance with ISO 9906:2012, Grade 2B.

\* Subject to change without prior notice.

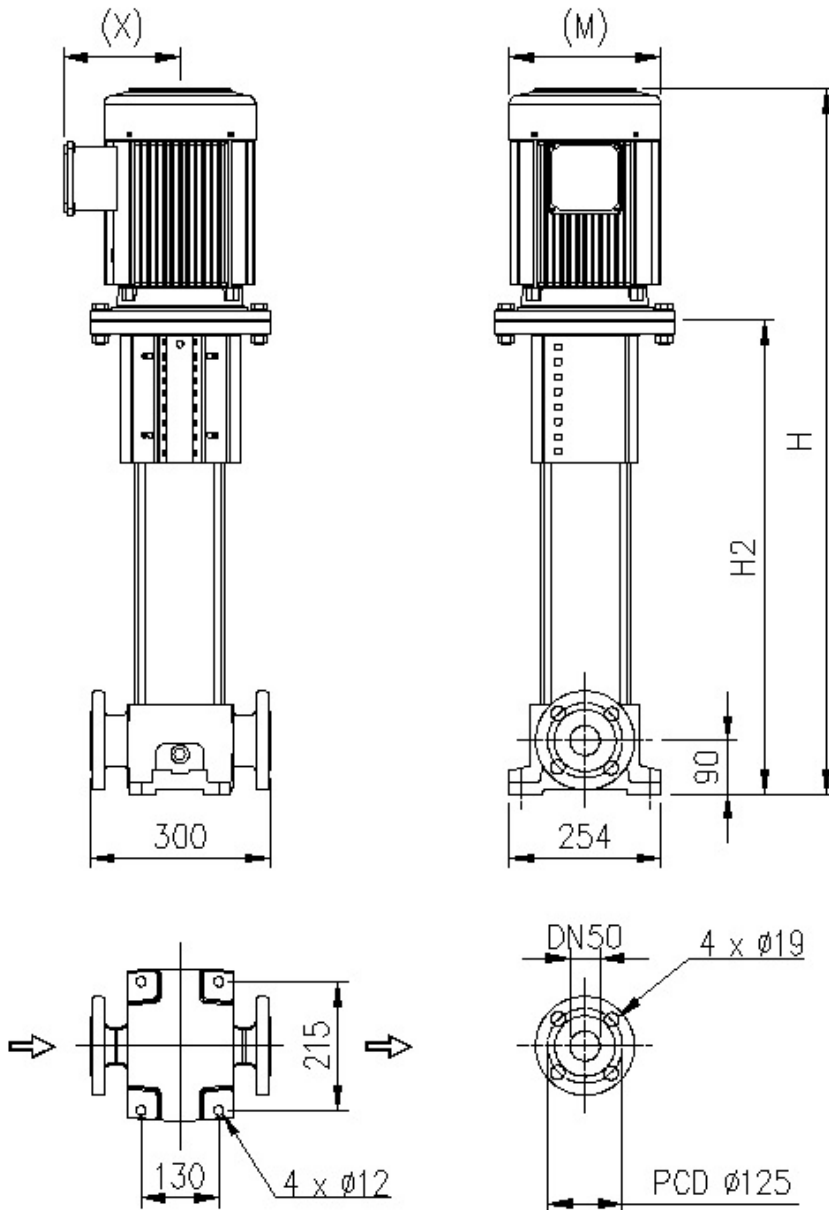
TYPE	Vertical Multi-Stage
MODEL	Helix V1604 / PN16
SERVICE	

# Outline Drawing

Sheet No.	
Customer	
Item No.	
Date	2017-02-09

## SPECIFICATION

<b>PUMP</b>	CAPACITY	0 l/min	<b>MOTOR</b>	OUTPUT	5.5 kW
	TOTAL HEAD	0 m		VOLTAGE	380V
	SUCTION BORE	50 mm		FREQUENCY	60 Hz
	DISCHARGE BORE	50 mm		SPEED	3550 1/min
	LIQUID	WATER		TYPE	TEFC
	MAKER	WILO		SUPPLIER	WILO



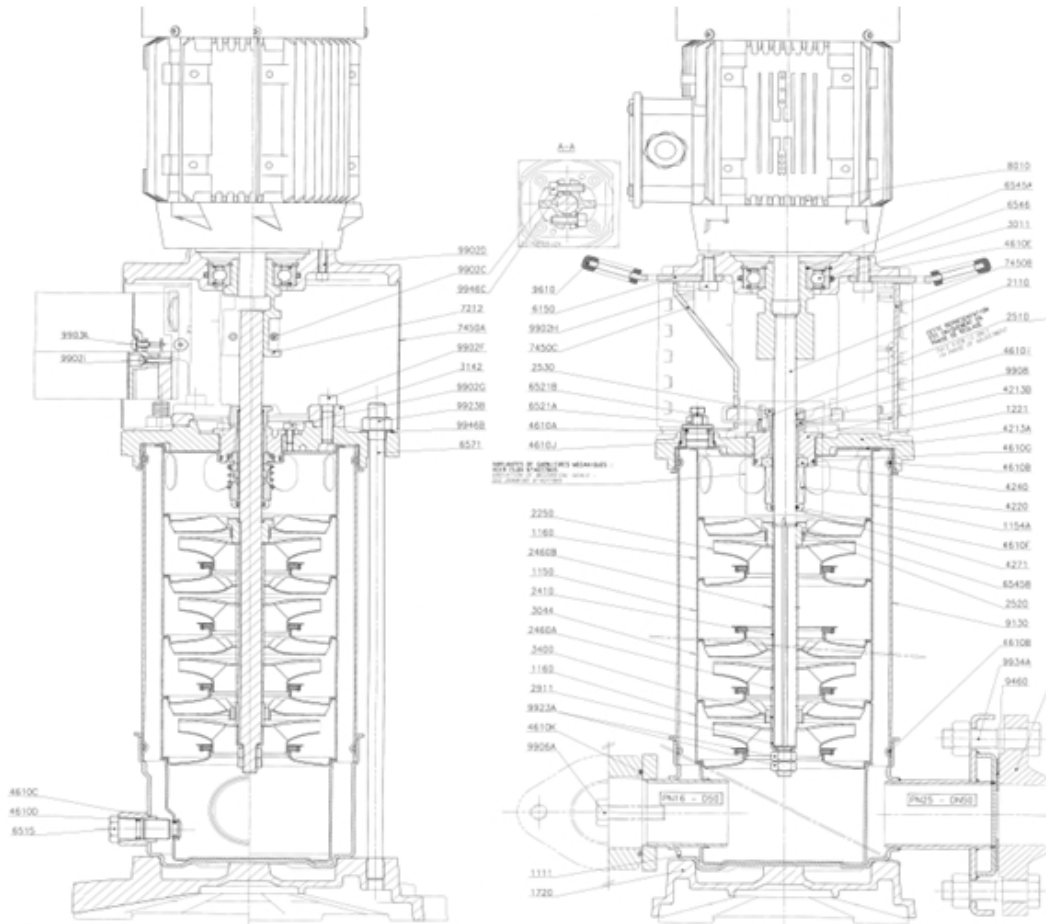
\* Dimension of outline drawing subjects to change without prior notice.

H	964	H2	572	M	253	X	194
---	-----	----	-----	---	-----	---	-----

TYPE	Vertical Multi-Stage
MODEL	Helix V1604 / PN16
SERVICE	

# Sectional Drawing

Sheet No.	
Customer	
Item No.	
Date	2017-02-09

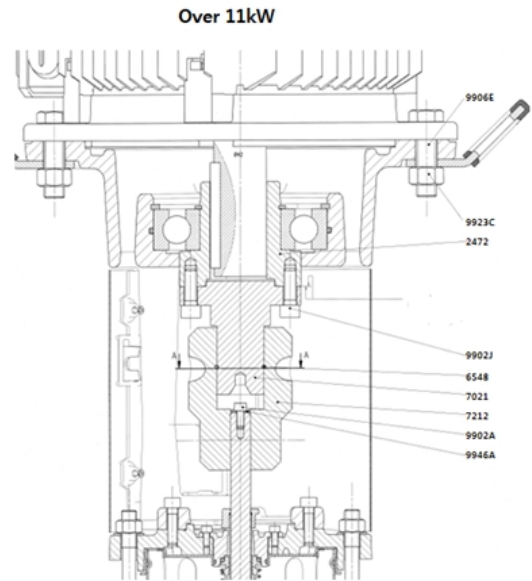
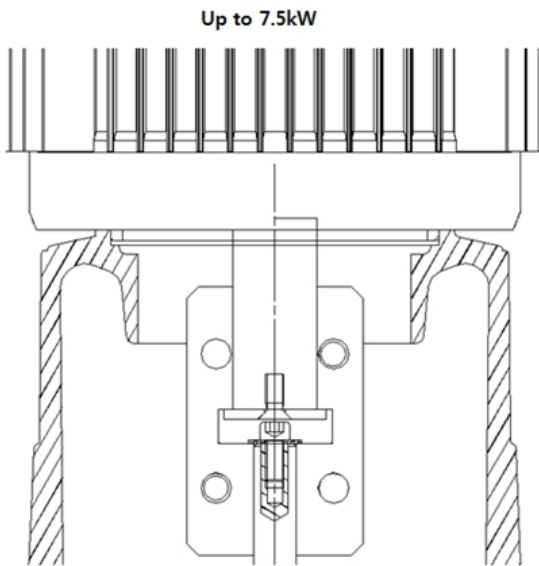


No.	Description	No.	Description	No.	Description
1111	Pump casing	2472	Hub	6571	Tie bolt
1150	Stage casing with return guide vane serial 16	6548	Stop-rush	8010	Motor
1160	Stage casing without return guide vane serial 16	7021	Spacer	9130	Tube
1160	Stage casing without return guide vane serial 16	7212	Coupling	9908	Screw
1154A	Discharge chamber with return guide vane serial 16	9902A	Shaft end upper screw	1221	End shield
4213A	Assembled ring cover of mechanical seal	9902J	Screw for spacer	2460A	Sleeve spacer
2110	Pump shaft	9906E	Screw fix. motor	2460B	Flat washer
2250	Impeller m+16	9946A	Washer under 9902A screw	3400	Shaft sleeve
2410	Spacer	9923C	Nut for fixing motor	1720	Base
2510	Setting shim shaft	4610C	O'ring drain and priming plug	4213B	Mechanical seal ring holder
2520	Back-up ring(or Thrust ring)	4610D	O'ring drain and priming plug	4220	Rotating part-mechanical seal
2530	Drive ring for mechanical seal	4610E	O'ring ø63.10xø3.53 for ball bearing	4240	Stationary part-mechanical seal
2911	Shaft end washer	4610F	O'ring	9902C	Screw for coupling
3011	Lantern ball bearing	4610G	O'ring	9902D	Screw fix. motor
3044	Bearing stage casing with return guide vane serial 16	4610I	O'ring	9902F	Screw fix. lantern/end shield
3142	Lantern	4610J	O'ring	9902G	Screw
4271	Shaft sleeve	4610K	O'ring	9902H	Screw fix. Platinize handling
6150	Platinize handling	6545A	Circlip shaft for ball bearing	9902I	Plastic support screw
6515	Drain and priming plug	6545B	Half keeper(thrust ring)	9906A	Screw
6521	Filing and venting plug	7450A	Sheet coupling protector	9923A	Shaft end nut
6546	Circlip(lantern ball bearing)	7450	Coupling guard support	9923B	Nut for tie bolt
9934A	Bolt	9946B	Washer under 9923B nut	4610B	O'ring

TYPE	Vertical Multi-Stage
MODEL	Helix V1604 / PN16
SERVICE	

# Sectional Drawing

Sheet No.	
Customer	
Item No.	
Date	2017-02-09



No.	Description
9906E	Screw fix. Motor
9923C	Motor fastening nut
2472	Hub
9902J	Screw for spacer
6548	Stop-rush
7021	Spacer
7212	Coupling

TYPE	Vertical Multi-Stage
MODEL	Helix V1604 / PN16
SERVICE	