

wilo Pump Data Sheet

Sheet No.	
Customer	
Item No.	
Date	2017-02-18

1	MODEL	Helix V2203 / PN16		Title			
2	Location			Agent			
3	Service			Plant Name			
4	Quantity	Set(s)		Installation	<input checked="" type="checkbox"/> Indoor <input type="checkbox"/> Outdoor		
5	OPERATING CONDITION						
6	Liquid	Water		Flow	0 l/min		
7	Pumping Temp.	Ambient		Suc. Pressure			
8	S.G.	1		Dis. Pressure			
9	Vap. Pressure	0.03kg/cm2A at 24?		Diff. Pressure			
10	Viscosity	1 cP		Total Head	0 m		
11	PERFORMANCE AND CONSTRUCTION					MATERIAL	
12	Vertical	Efficiency			%	Part Name	Symbol
13	No. of Stages	3	Rated Power			Casing	GC250
14	Speed	3550 rpm	NPSHre			Impeller	STS304L
15	Rotation	CW (view from drive end)				Shaft	STS431
16	Bore	Size(Dia)	Rating	Face	Position	Tube	STS304
17	Suction	50 mm	PN 16	RF	Side	Diffuser	STS304L
18	Discharge	50 mm	PN 16	RF	Side	End Shield	GC250
19	Impeller Type	Closed	Vertical Multi-Stage		HYDROSTATIC		
20	Flow Direction	Radial		Casing			3 min
21	Shaft Seal	M/Seal	Shaft Sleeve	No	Jacket	3 min	
22	Mounting	Foot		TESTING			
23	Lubrication	<input checked="" type="checkbox"/> Grease		Items		Witness	
24	Cooling	<input checked="" type="checkbox"/> No Cooling		Run Perform.	<input checked="" type="checkbox"/> Yes <input type="checkbox"/> No	<input type="checkbox"/> Yes <input checked="" type="checkbox"/> No	
25	Radial Bearing	-	Thrust Bearing	-	Hydrostatic(Air Press.)	<input checked="" type="checkbox"/> Yes <input type="checkbox"/> No	<input type="checkbox"/> Yes <input checked="" type="checkbox"/> No
26	MOTOR SPECIFICATION					SPARE PART	
27	Supplier	WILO	Phase / V / Hz	3~	380V	~ 60 Hz	Set(s)
28	Type	TEFC	Furnished by	<input checked="" type="checkbox"/> WILO	<input type="checkbox"/> Customer		Set(s)
29	Power	7.5 kW	Mounted by	<input checked="" type="checkbox"/> WILO	<input type="checkbox"/> Customer		Set(s)
30	No. of Pole	2 P	Enclosure	<input checked="" type="checkbox"/> IP 55	<input type="checkbox"/>		Set(s)
31	Insulation	<input checked="" type="checkbox"/> F <input type="checkbox"/>					Set(s)
32	ACCESSORY(<input checked="" type="checkbox"/>Supplied : WILO)					Set(s)	
33	<input type="checkbox"/> Common Base					Set(s)	
34	<input type="checkbox"/> Foundation Bolts & Nuts					Set(s)	
35	<input checked="" type="checkbox"/> Coupling	Half (Rigid & Split Type)		<input checked="" type="checkbox"/> Coupling Guard		Set(s)	
36	<input type="checkbox"/> Pressure Guage					Set(s)	
37	<input checked="" type="checkbox"/> Plug for Drain & Air vent.					Set(s)	
38	<input type="checkbox"/> Seal Flushing					Set(s)	
39	M/Seal	Maker	Eagle-Burgmann	Model & Size	MG12		Set(s)
40		Type	Unbalanced	Cooler	<input type="checkbox"/> Yes <input checked="" type="checkbox"/> No		Set(s)
41		API 610 Plan					
42		Material Code	SiC/Carbon,EPDM		Pump	115 kg	
43	<input type="checkbox"/> Companion Flanges						
44	<input type="checkbox"/> Special Tool						
						Total wt.	115 kg

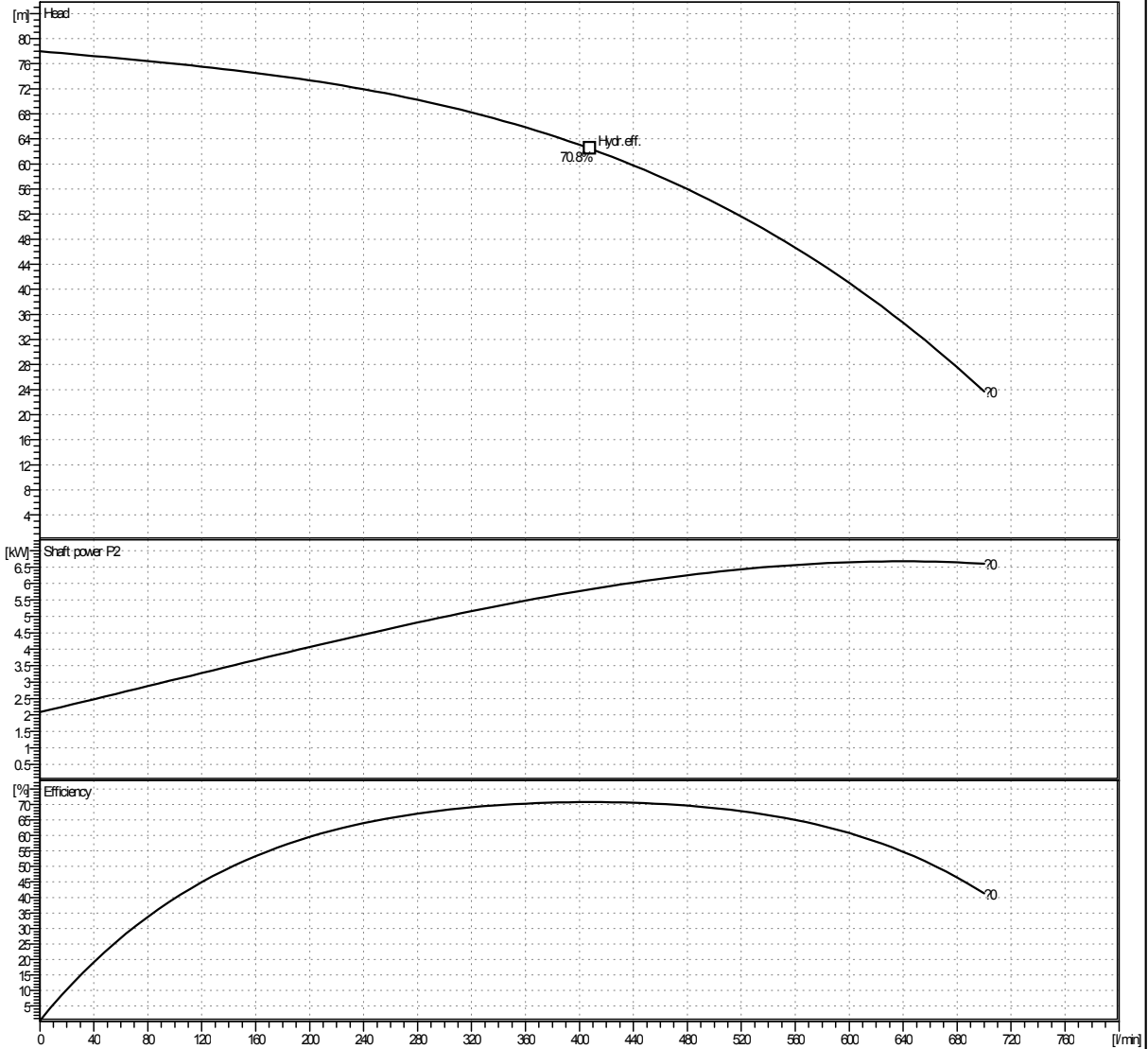
*Pump test acceptance grade in accordance with ISO 9906:2012, Grade 2B.

Estimated Performance Curve

Sheet No.	
Customer	
Item No.	
Date	2017-02-18

SPECIFICATION

PUMP	CAPACITY	0 l/min	MOTOR	OUTPUT	7.5 kW
	TOTAL HEAD	0 m		VOLTAGE	380V
	SUCTION BORE	50 mm		FREQUENCY	60 Hz
	DISCHARGE BORE	50 mm		SPEED	3550 1/min
	LIQUID	WATER		TYPE	TEFC
	MAKER	WILO		SUPPLIER	WILO



A/B Efficiency	Capacity	Efficiency(%)
A Efficiency	408.3 l/min	70.8
B Efficiency		

* Pump test acceptance grade in accordance with ISO 9906:2012, Grade 2B.

* Subject to change without prior notice.

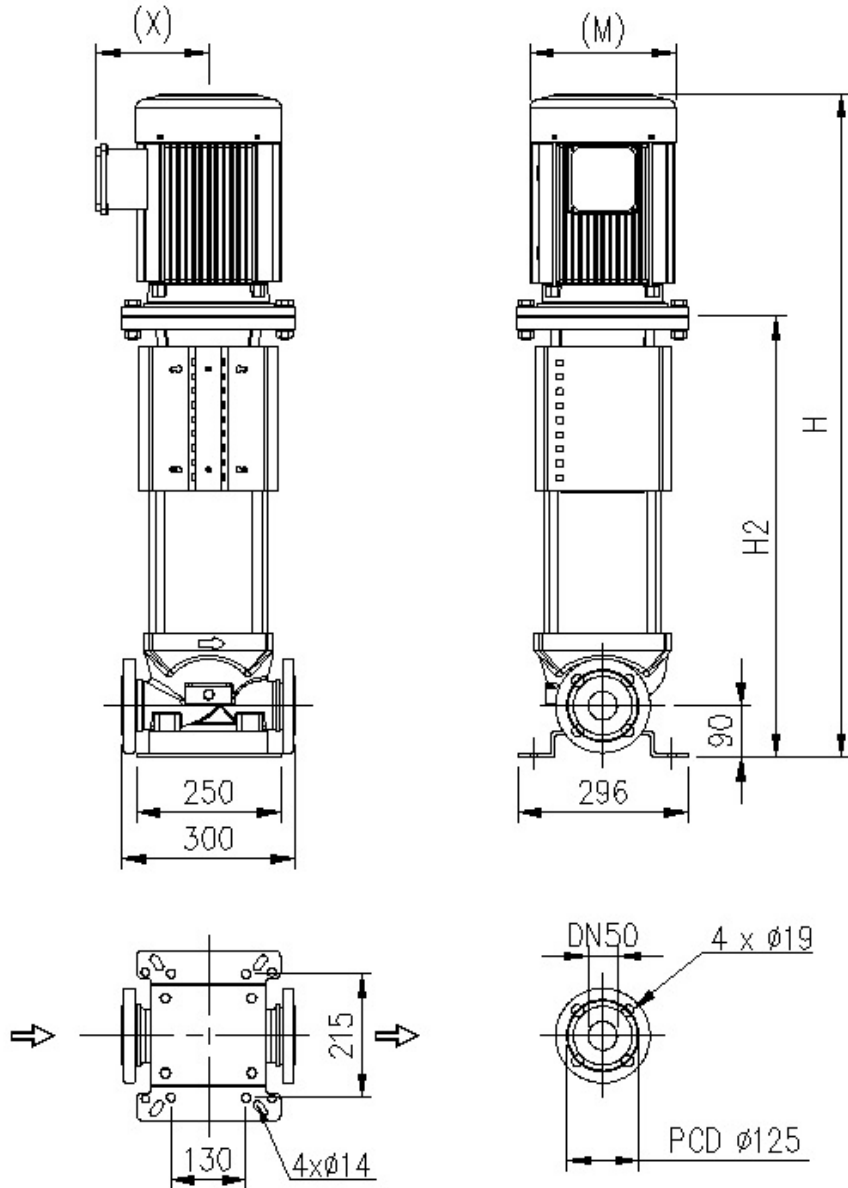
TYPE	Vertical Multi-Stage
MODEL	Helix V2203 / PN16
SERVICE	

Outline Drawing

Sheet No.	
Customer	
Item No.	
Date	2017-02-18

SPECIFICATION

PUMP	CAPACITY	0 l/min	MOTOR	OUTPUT	7.5 kW
	TOTAL HEAD	0 m		VOLTAGE	380V
	SUCTION BORE	50 mm		FREQUENCY	60 Hz
	DISCHARGE BORE	50 mm		SPEED	3550 1/min
	LIQUID	WATER		TYPE	TEFC
	MAKER	WILO		SUPPLIER	WILO



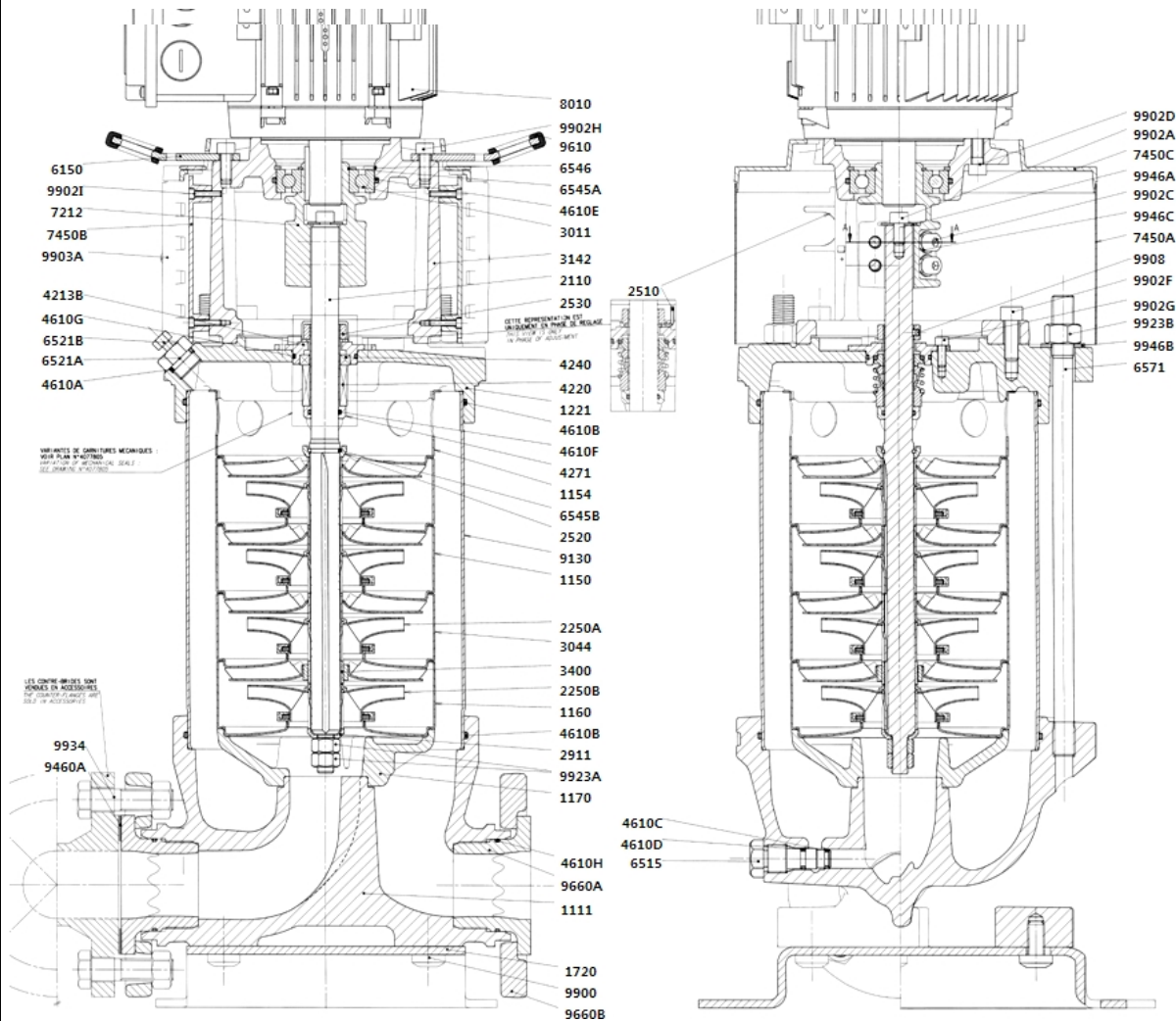
* Dimension of outline drawing subjects to change without prior notice.

H	1114	H2	717	M	253	X	194
---	------	----	-----	---	-----	---	-----

TYPE	Vertical Multi-Stage
MODEL	Helix V2203 / PN16
SERVICE	

Sectional Drawing

Sheet No.	
Customer	
Item No.	
Date	2017-02-18

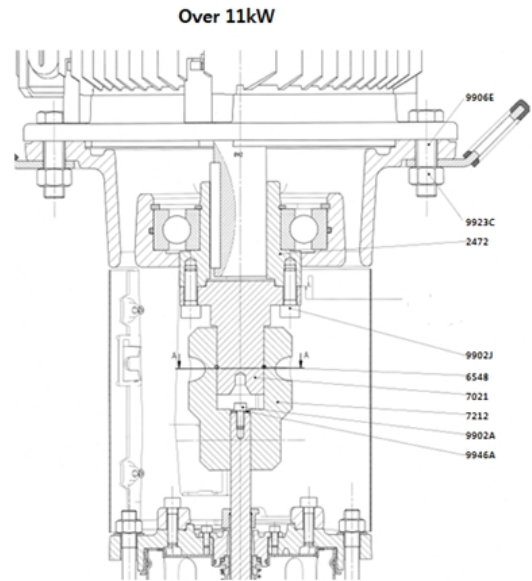
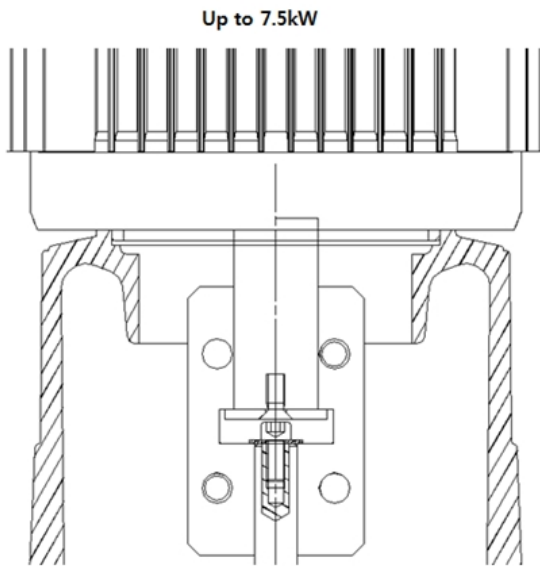


No	Description	No	Description
1111	Pump casing	9923 A	Shaft end nut
1150	stage casing with return guides vanes and neck ring	9923 B	Installation tie rod nut
1154	Centering end stage with return guides vanes	9946 A	Washer under 9902A screw
1160	Stage casing without return guides vanes with neck ring	9946 B	Washer under 9923B screw
2110	Pump shaft	9946 C	Washer under 9902C screw
2250A	Impeller with spacer	1170	Hydraulic support
2250B	Impeller without spacer	7450C	coupling guard top cover
2520	Back-up ring (or Thrust ring)	7450A	Sheet coupling protector
2911	Shaft end washer	9908	Screw
3011	Lantern ball bearing	9902F	Screw fix.lantern/end shield
3044	Stage casing with r.g.vanes and intermediat bearing and neck ring	9902G	Screw
3400	sleeve	9610	Protector ring of handling
4213B	Mechanical seal Ø22 ring holder	4610E	O'ring FOR ball bearing
4220	Rotating part - mechanical seal	3142	Machining lantern
4240	Stationary part - mechanical seal	2530	Drive ring for mechanical seal
4610 A	O'ring for filling plug	2510	Setting shim shaft
4610 B	O'ring for tube	1221	End shield
4610 C	O'ring drain and Priming plug	4610F	O'ring
4610 D	O'ring drain and Priming plug	4271	Sleeve under mechanical seal
6515	Draining and priming plug	4610H	O'ring
6521	Filling and venting plug	9660A	Gasket holder
6545 A	Circlip (lantern ball bearing)	1720	Base
6545 B	Half keeper (thrust ring)	9900	Screw fix. Base/housing
6546	Circlip (lantern ball bearing)	9660B	flange
6571	Tie bolt	6150	Platinize handling FT
7212	Coupling	4610G	O'ring
7450 B	Coupling guard support	9906E	Screw fix. motor
8010	Motor	9923C	Motor fastening nut
9130	Tube	2472	Hub
9902 A	Shaft end upper screw	9902J	Screw for spacer
9902 C	Coupling fastening screw	6548	Stop-rush
9902 D	Screw fastening Motor	7021	Spacer
9902 H	Screw fastening platinize handling	7212	Coupling
9902 I	Plastic support screw	9929E	Nut

TYPE	Vertical Multi-Stage
MODEL	Helix V2203 / PN16
SERVICE	

Sectional Drawing

Sheet No.	
Customer	
Item No.	
Date	2017-02-18



No.	Description
9906E	Screw fix. Motor
9923C	Motor fastening nut
2472	Hub
9902J	Screw for spacer
6548	Stop-rush
7021	Spacer
7212	Coupling

TYPE	Vertical Multi-Stage
MODEL	Helix V2203 / PN16
SERVICE	