

# wilo Pump Data Sheet

Sheet No.	
Customer	
Item No.	
Date	2017-02-08

1	<b>MODEL</b>	Helix V609 / PN16		Title		
2	Location			Agent		
3	Service			Plant Name		
4	Quantity	Set(s)		Installation	<input checked="" type="checkbox"/> Indoor <input type="checkbox"/> Outdoor	
5	<b>OPERATING CONDITION</b>					
6	Liquid	Water		Flow	0 l/min	
7	Pumping Temp.	Ambient		Suc. Pressure		
8	S.G.	1		Dis. Pressure		
9	Vap. Pressure	0.03kg/cm2A at 24?		Diff. Pressure		
10	Viscosity	1 cP		Total Head	0 m	
11	<b>PERFORMANCE AND CONSTRUCTION</b>				<b>MATERIAL</b>	
12	Vertical		Efficiency	%		Part Name
13	No. of Stages	9	Rated Power			Symbol
14	Speed	3550 rpm	NPSHre			Casing
15	Rotation	CW (view from drive end)			Impeller	STS304L
16	Bore	Size(Dia)	Rating	Face	Position	Shaft
17	Suction	32 mm	PN 16	RF	Side	Tube
18	Discharge	32 mm	PN 16	RF	Side	Diffuser
19	Impeller Type	Closed	Vertical Multi-Stage		Top Cover	STS304
20	Flow Direction	Radial			<b>HYDROSTATIC</b>	
21	Shaft Seal	M/Seal	Shaft Sleeve	No	Casing	3 min
22	Mounting	Foot			Jacket	3 min
23	Lubrication	<input checked="" type="checkbox"/> Grease			<b>TESTING</b>	
24	Cooling	<input checked="" type="checkbox"/> No Cooling			Items	Witness
25	Radial Bearing	-	Thrust Bearing	-	Run Perform.	<input checked="" type="checkbox"/> Yes <input type="checkbox"/> No <input type="checkbox"/> Yes <input checked="" type="checkbox"/> No
26					Hydrostatic(Air Press.)	<input checked="" type="checkbox"/> Yes <input type="checkbox"/> No <input type="checkbox"/> Yes <input checked="" type="checkbox"/> No
27	<b>MOTOR SPECIFICATION</b>				<b>SPARE PART</b>	
28	Supplier	WILO	Phase / V / Hz	3~ 380V ~ 60 Hz		Set(s)
29	Type	TEFC	Furnished by	<input checked="" type="checkbox"/> WILO <input type="checkbox"/> Customer		Set(s)
30	Power	3.7 kW	Mounted by	<input checked="" type="checkbox"/> WILO <input type="checkbox"/> Customer		Set(s)
31	No. of Pole	2 P	Enclosure	<input checked="" type="checkbox"/> IP 55 <input type="checkbox"/>		Set(s)
32	Insulation	<input checked="" type="checkbox"/> F <input type="checkbox"/>				Set(s)
33	<b>ACCESSORY(<input checked="" type="checkbox"/>Supplied : WILO)</b>					Set(s)
34	<input type="checkbox"/> Common Base					Set(s)
35	<input type="checkbox"/> Foundation Bolts & Nuts					Set(s)
36	<input checked="" type="checkbox"/> Coupling	Half (Rigid & Split Type)		<input checked="" type="checkbox"/> Coupling Guard		Set(s)
37	<input type="checkbox"/> Pressure Guage					Set(s)
38	<input checked="" type="checkbox"/> Plug for Drain & Air vent.					Set(s)
39	<input type="checkbox"/> Seal Flushing					Set(s)
40	M/Seal	Maker	Eagle-Burgmann	Model & Size	MG12	Set(s)
41		Type	Unbalanced	Cooler	<input type="checkbox"/> Yes <input checked="" type="checkbox"/> No	Set(s)
42		API 610 Plan				<b>WEIGHT</b>
43		Material Code	SiC/Carbon,EPDM			Pump
44	<input type="checkbox"/> Companion Flanges					53 kg
45	<input type="checkbox"/> Special Tool					
					Total wt.	53 kg

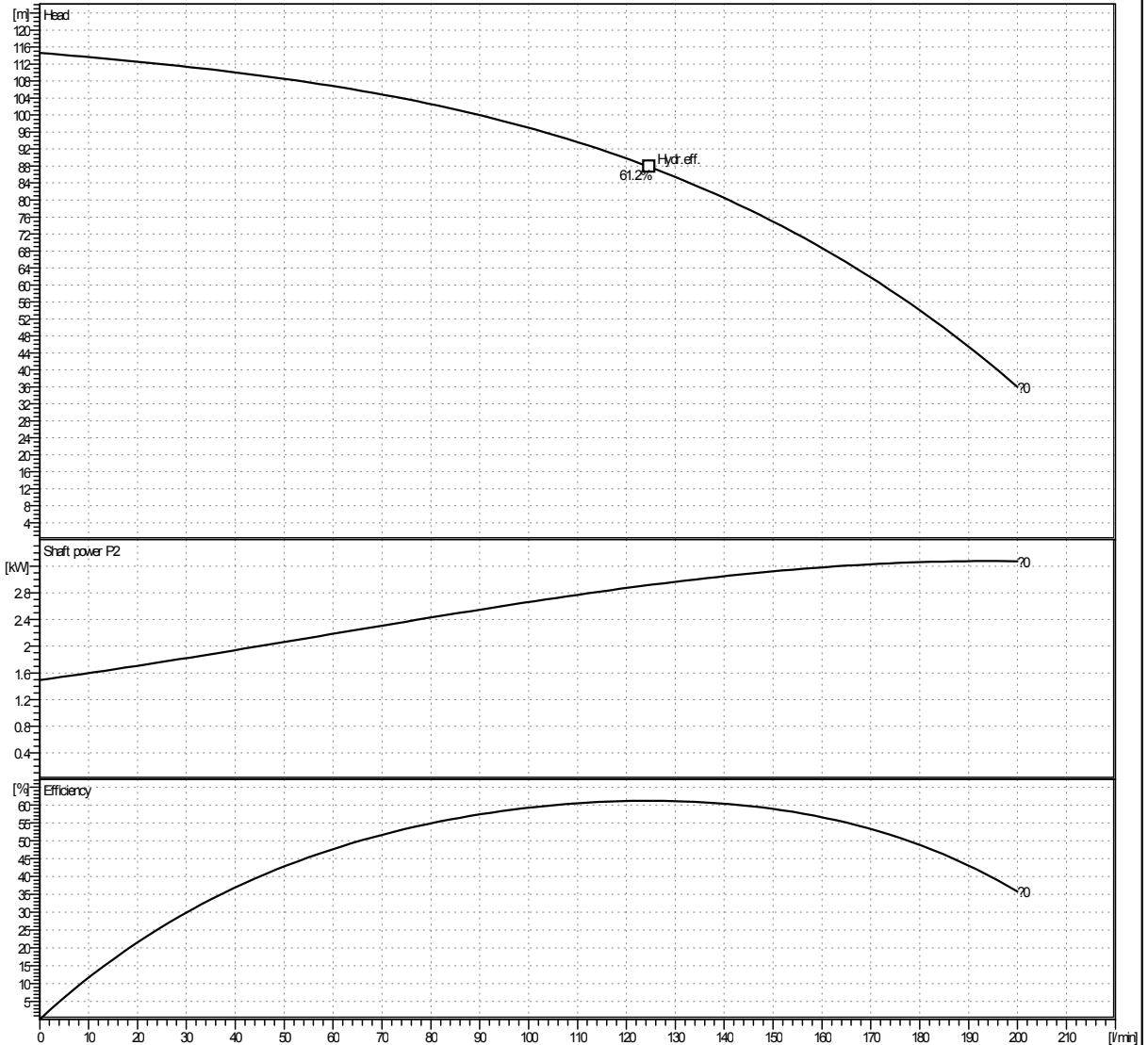
\*Pump test acceptance grade in accordance with ISO 9906:2012, Grade 2B.

# Estimated Performance Curve

Sheet No.	
Customer	
Item No.	
Date	2017-02-08

## SPECIFICATION

PUMP	CAPACITY	0 l/min	MOTOR	OUTPUT	3.7 kW
	TOTAL HEAD	0 m		VOLTAGE	380V
	SUCTION BORE	32 mm		FREQUENCY	60 Hz
	DISCHARGE BORE	32 mm		SPEED	3550 1/min
	LIQUID	WATER		TYPE	TEFC
	MAKER	WILO		SUPPLIER	WILO



A/B Efficiency	Capacity	Efficiency(%)
A Efficiency	124.78 l/min	61.2
B Efficiency		

\* Pump test acceptance grade in accordance with ISO 9906:2012, Grade 2B.

\* Subject to change without prior notice.

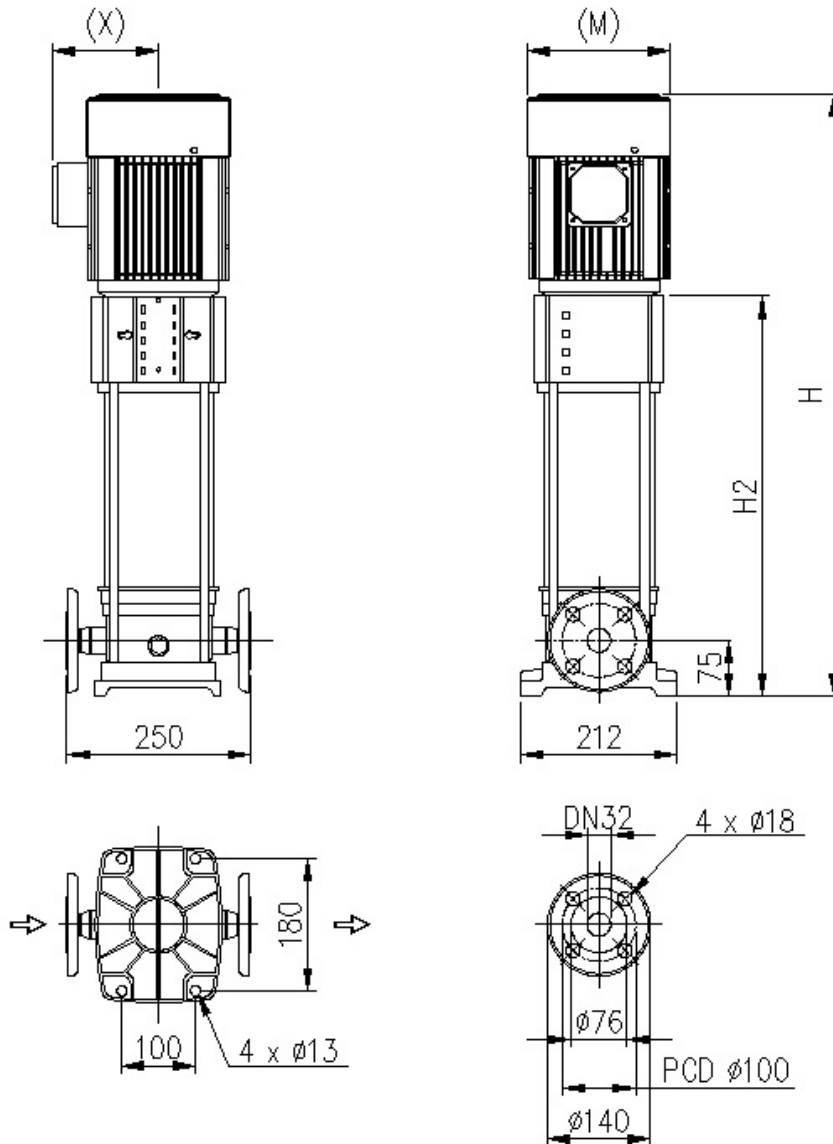
TYPE	Vertical Multi-Stage
MODEL	Helix V609 / PN16
SERVICE	

# Outline Drawing

Sheet No.	
Customer	
Item No.	
Date	2017-02-08

## SPECIFICATION

<b>PUMP</b>	CAPACITY	0 l/min	<b>MOTOR</b>	OUTPUT	3.7 kW
	TOTAL HEAD	0 m		VOLTAGE	380V
	SUCTION BORE	32 mm		FREQUENCY	60 Hz
	DISCHARGE BORE	32 mm		SPEED	3550 1/min
	LIQUID	WATER		TYPE	TEFC
	MAKER	WILO		SUPPLIER	WILO



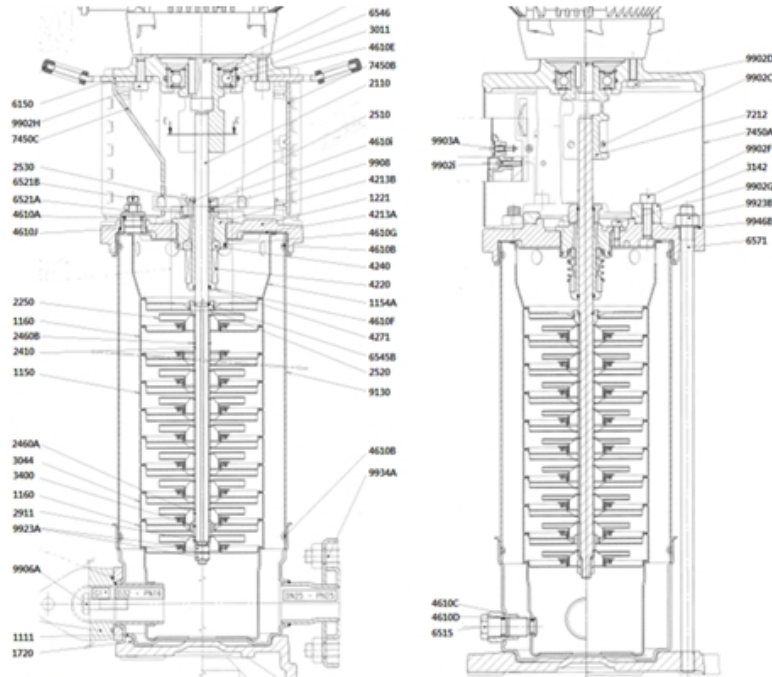
\* Dimension of outline drawing subjects to change without prior notice.

H	1031	H2	704	M	195	X	147
---	------	----	-----	---	-----	---	-----

TYPE	Vertical Multi-Stage
MODEL	Helix V609 / PN16
SERVICE	

# Sectional Drawing

Sheet No.	
Customer	
Item No.	
Date	2017-02-08

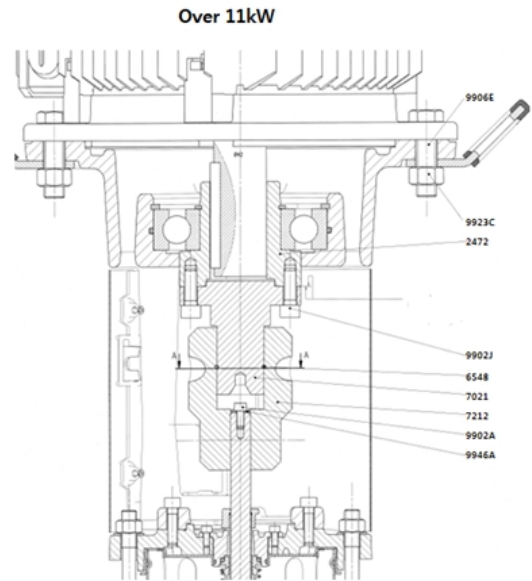
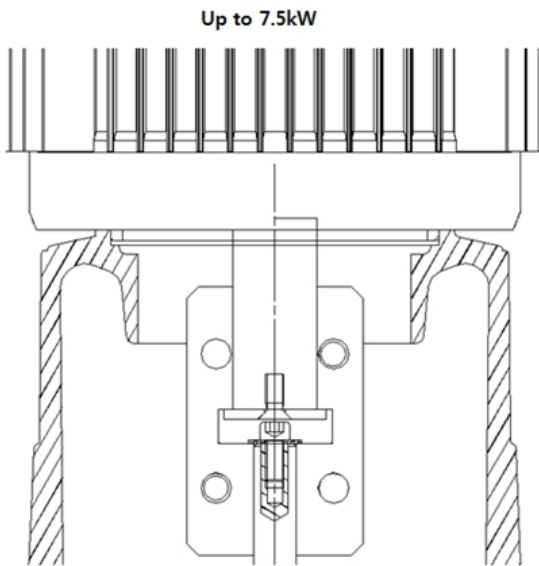


No.	Description	No.	Description
1111	Pump casing	2472	Hub
1150	Stage casing with return guide vane serial 4	6548	Stop-rush
1160	Stage casing without return guide vane serial 4	7021	Spacer
1221	End shield	7212	Coupling
1720	Base	9902J	Screw for spacer
2110	Pump shaft	9906E	Screw fix. motor
2250	Impeller M+4	9923C	Nut for fixing motor
2410	Spacer	4610F	O'ring
2510	Setting shim shaft	4610G	O'ring
2520	Back-up ring(or Thrust ring)	4610I	O'ring
2530	Drive ring for mechanical seal	4610J	O'ring
2911	Shaft end washer	4610K	O'ring
3011	Lantern ball bearing	6545A	Cirdip shaft for ball bearing
3044	Bearing stage casing with return guide vane serial 4	6545B	Half keeper(thrust ring)
3142	Lantern	7450A	Sheet coupling protector
4271	Shaft sleeve	7450	Coupling guard support
6150	Platinize handling	9902C	Screw for coupling
6515	Drain and priming plug	9902D	Screw fix. motor
6521	Filing and venting plug	9902F	Screw fix. lantern/end shield
6546	Cirdip(lantern ball bearing)	9902G	Screw
6571	Tie bolt	9902H	Srew fix. Platinize handling
9130	Tube	9902I	Plastic support screw
9908	Screw	9906A	Screw
1154A	Discharge chamber with return guide vane serial 4	9923A	Shaft end nut
2460A	Sleeve spacer	9923B	Nut for tie bolt
2460B	Flat washer	9934A	Bolt
3400	Shaft sleeve	9946B	Washer under 9923B nut
4213A	Assembled ring cover of mechanical seal	4610A	O'ring for filling and venting plug
4213B	Mechanical seal ø18 ring holder	4610B	O'ring
4220	Rotating part-mechanical seal	4610C	O'ring drain and priming plug
4240	Stationary part-mechanical seal	4610D	O'ring drain and priming plug
		4610E	O'ring for ball bearing

TYPE	Vertical Multi-Stage
MODEL	Helix V609 / PN16
SERVICE	

# Sectional Drawing

Sheet No.	
Customer	
Item No.	
Date	2017-02-08



No.	Description
9906E	Screw fix. Motor
9923C	Motor fastening nut
2472	Hub
9902J	Screw for spacer
6548	Stop-rush
7021	Spacer
7212	Coupling

TYPE	Vertical Multi-Stage
MODEL	Helix V609 / PN16
SERVICE	