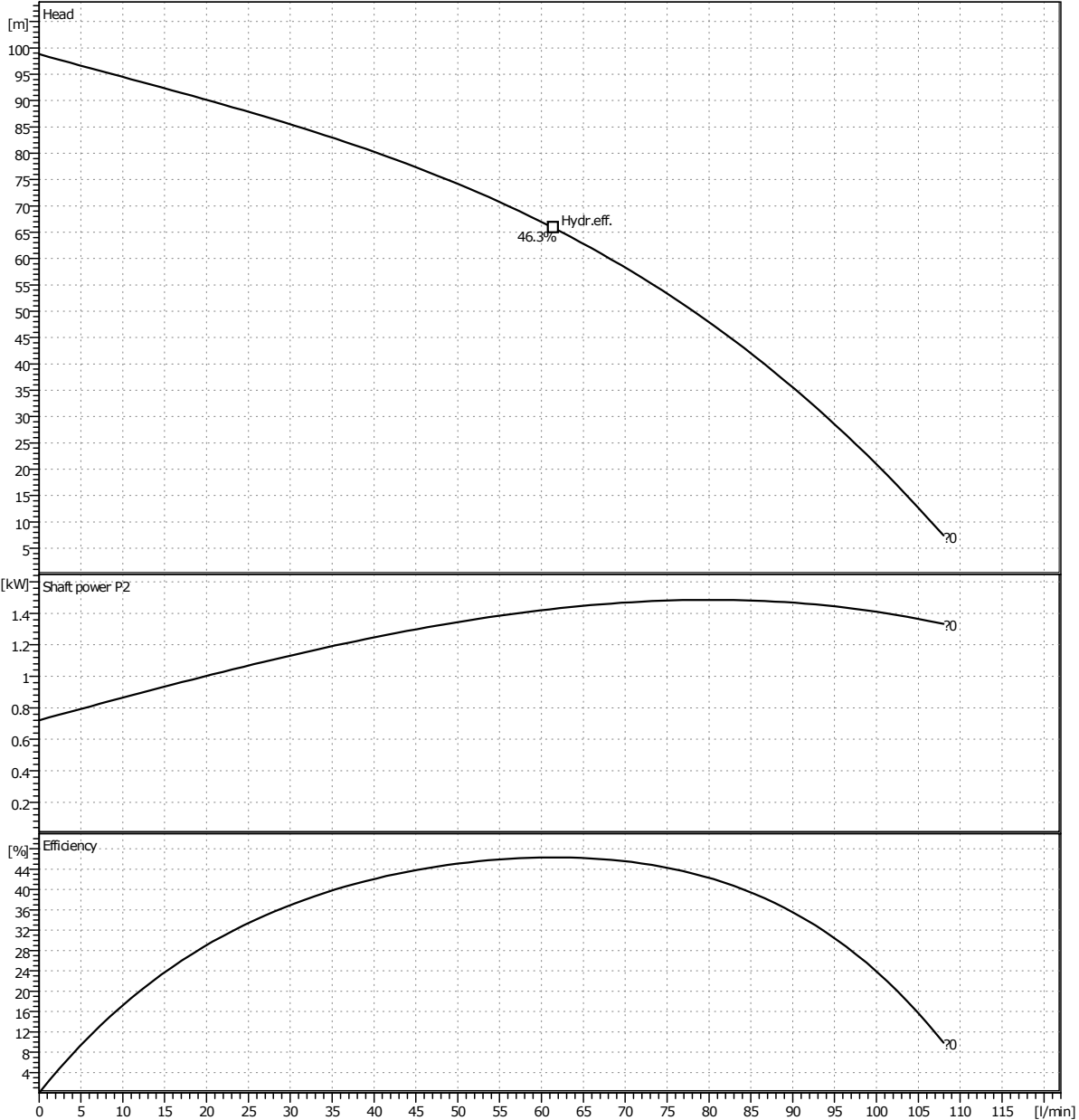


Estimated Performance Curve

Sheet No.	
Customer	
Item No.	
Date	2017-03-07

SPECIFICATION

PUMP		MOTOR	
Capacity	60 lpm at 65 m	OUTPUT	1.5KW
Total Head	65 m	VOLTAGE	220/380V
SUCTION BORE	25 mm	FREQUENCY	60Hz
DISCHARGE BORE	25 mm	SPEED	3450rpm
LIQUID	WATER	TYPE	TEFC
MAKER	WILO	MAKER	WILO



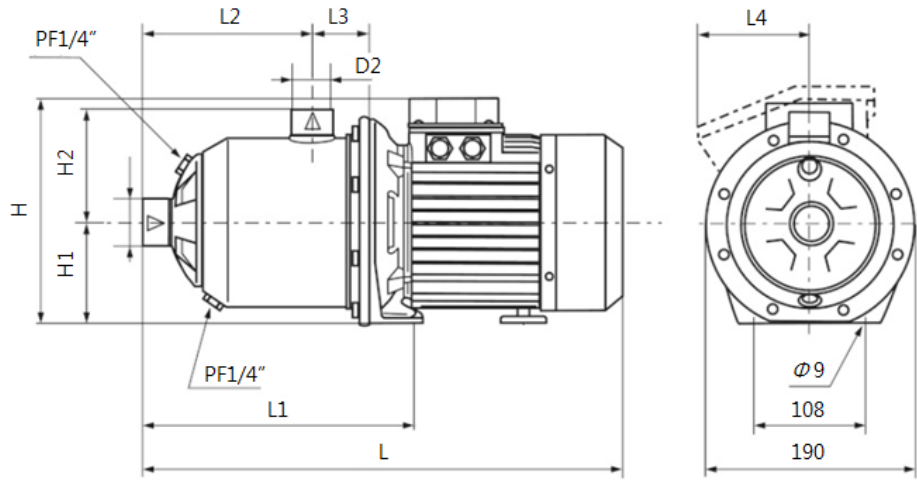
* Performance curve of some models is subject to have 10% deviation.

* Subject to change without prior notice.

TYPE	Horizontal Multi-stage
MODEL	MHI-206i
SERVICE	

Outline Drawing

Sheet No.	
Customer	
Item No.	
Date	2017-03-07



단위 : mm

Model	Power Source	H	H1	H2	L	L1	L2	L3	L4	D1	D2
MHI 202	M (1~, 220V, 60Hz)	219	90	104	354	204	109.5	51	106	25	25
MHI 203		219	90	104	354	204	109.5	51	106	25	25
MHI 204		220	90	104	428	252	157.5	51	120	25	25
MHI 205		220	90	104	428	252	157.5	51	120	25	25
MHI 206		220	90	104	452	252	181.5	51	120	25	25
MHI 202	I (3~, 220/380, 60Hz)	192	90	104	375	204	109.5	51	-	25	25
MHI 203		192	90	104	375	204	109.5	51	-	25	25
MHI 204	N (3~, 440V, 60Hz)	213	90	104	428	252	157.5	51	-	25	25
MHI 205		213	90	104	428	252	157.5	51	-	25	25
MHI 206		213	90	104	452	252	181.5	51	-	25	25

TYPE	Horizontal Multi-stage
MODEL	MHI-206i
SERVICE	