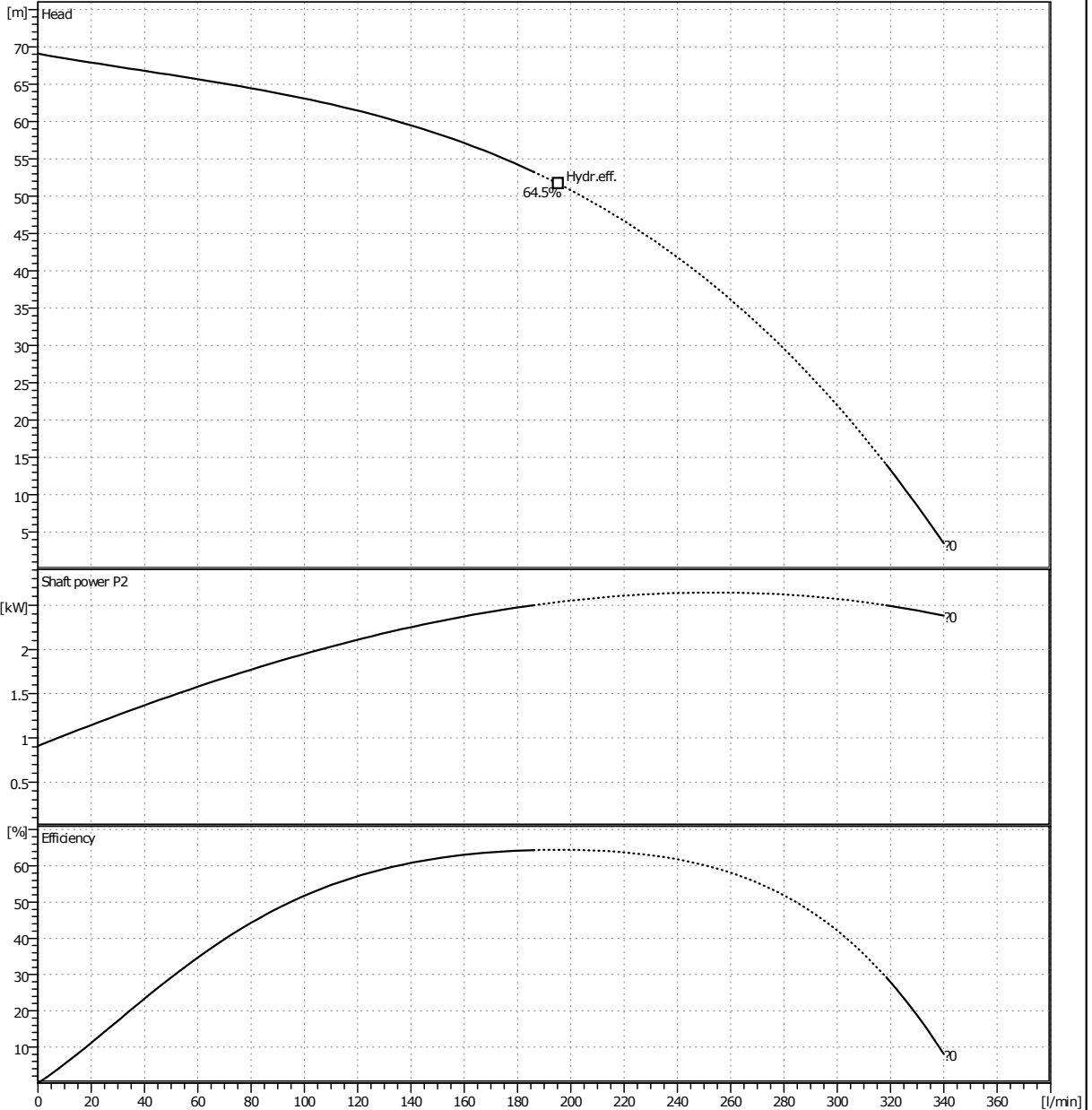


Estimated Performance Curve

Sheet No.	
Customer	
Item No.	
Date	2017-03-07

SPECIFICATION

PUMP		MOTOR	
Capacity	230 lpm at 40 m	OUTPUT	2.5KW
Total Head	40 m	VOLTAGE	220/380V
SUCTION BORE	40 mm	FREQUENCY	60Hz
DISCHARGE BORE	30 mm	SPEED	3450rpm
LIQUID	WATER	TYPE	TEFC
MAKER	WILO	MAKER	WILO



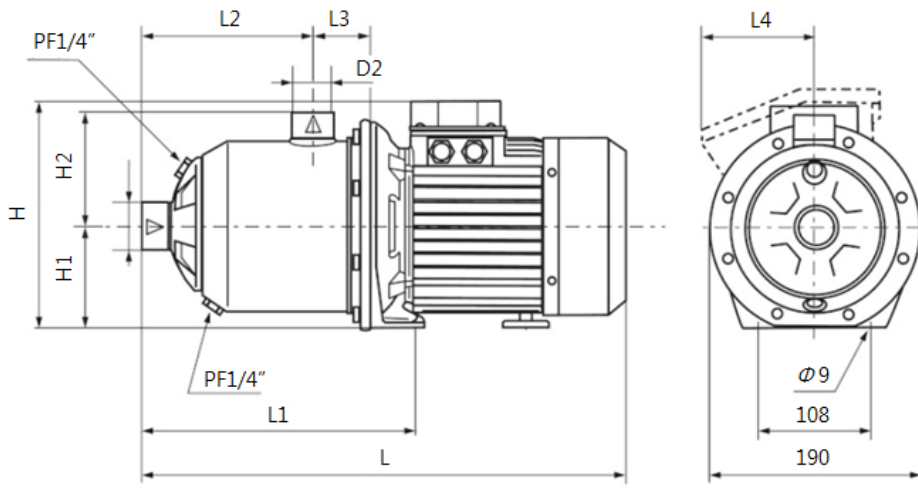
* Performance curve of some models is subject to have 10% deviation.

* Subject to change without prior notice.

TYPE	Horizontal Multi-stage
MODEL	MHI-804i
SERVICE	

Outline Drawing

Sheet No.	
Customer	
Item No.	
Date	2017-03-07



단위 : mm

Model	Power Source	H	H1	H2	L	L1	L2	L3	L4	D1	D2
MHI 802	M (1~, 220V, 60Hz)	228	90	104	392	216	121.5	51	106	40	30
MHI 802	I (3~, 220/380, 60Hz)	223	90	104	392	216	121.5	51	-	40	30
MHI 803		223	90	104	392	216	121.5	51	-	40	30
MHI 804	N (3~, 440V, 60Hz)	237	100	104	483	276	181.5	51	-	40	30
MHI 805		237	100	104	483	276	181.5	51	-	40	30

TYPE	Horizontal Multi-stage
MODEL	MHI-804i
SERVICE	