

wilo Pump Data Sheet

Sheet No.	
Customer	
Item No.	
Date	2017-07-04

1	MODEL	PD-200MLA			Title				
2	OPTION MODEL				Quantity		Set(s)		
3	Location				Agent				
4	Service				Plant Name				
5	OPERATING CONDITION								
6	Liquid Pumped	Drainage Water			Capacity	130			
7	Pumping Temp.	Winter : -5 C			Dis. Press				
8		Summer : 40 C			Total Head	1			
9	Specific Gravity	1 kgf/cm ² A			Total Head at zero point		9 m		
10	Viscosity	5 cP			Liquid pH		6.5~9 pH		
11	PERFORMANCE AND CONSTRUCTION					MATERIAL			
12	Axis Position	Vertical		C.W.L	55 mm	Part Name	Symbol		
13	Number of Stages	1		EFF. Expected	%	Handle	PP		
14	Speed	3450 rpm		Rated Power	200W	Shaft	STS316		
15	Rotation Viewed From Driver	CW			Casing	mPPO			
16	BORE	Size(Dia)	Rating	Facing	Position	Body	mPPO		
17		Suction	-	-	-	-	Hose Coupling	PP	
18		Discharge	32	-	-	Side	Cable	PNCT	
19	Impeller Type	Semi Open			Single Suction	Impeller	mPPO		
20	Flow Direction	Radial		Oil Seal	Yes	Seal Cover	mPPO		
21	Shaft Seal	M/Seal		Shaft Sleeve	No				
22	Adapter	<input type="checkbox"/> Yes <input checked="" type="checkbox"/> No		Adapter Model					
23	Discharge Type	Hose Connection							
24	Struction of Inlet	Strainer			HYDROSTATIC				
25	Struction of Outlet	Elbow, Hose Coupling			Casing	kgf/cm ²	min		
26	Bearings	Upper : 6201zz		Lower : 6201zz	Frame	kgf/cm ²	min		
27	MOTOR SPECIFICATION					TESTING			
28	Motor	Maker	WILO			(Items)		(Witness)	
29	Type	Induction Motor(Submersible Type)				Run Perform	<input checked="" type="checkbox"/> Yes <input type="checkbox"/> No	<input type="checkbox"/> Yes <input checked="" type="checkbox"/> No	
30	Starting Method	LINE	Power Supply	1~ 220V		Hydrostatic (Air Press.)	<input checked="" type="checkbox"/> Yes <input type="checkbox"/> No	<input type="checkbox"/> Yes <input checked="" type="checkbox"/> No	
31	Pole & Speed	3450 1/min		Frequency	60 Hz		SPARE PART		
32	Output	200W		Insulation	B	Amperage	1.8A		
33	Protector	<input type="checkbox"/> Over Load Protector(O.L.P)			<input checked="" type="checkbox"/> Thermal Protector(T.P)		Impeller	Set(s)	
34	SEAL PART					Shaft	Set(s)		
35	Mechanical Seal	Maker	Burgmann	Size	ED-560- 10		Sleeve	Set(s)	
36		Type	Single	Cooler Type	T-#32		Bearing	Set(s)	
37		Cooler	Yes	Cooler Quantity	20cc		Casing	Set(s)	
38	ACCESSORY					M/Seal	Set(s)		
39	<input type="checkbox"/> Companion Flanges					Name Plate	Set(s)		
40	<input type="checkbox"/> Chain						Set(s)		
41	<input checked="" type="checkbox"/> Hose Coupling <input type="checkbox"/> Flange Coupling						Set(s)		
42	<input type="checkbox"/> Foundation Bolts & Nuts					WEIGHT			
43	<input type="checkbox"/> Guide Pipe					Pump	5 kg		
44	<input type="checkbox"/> Special Tool					Adapter	-		
45	<input type="checkbox"/> Spare Parts					Total Wt.	5 kg		

Remark
* Protector does not supply in 50Hz.

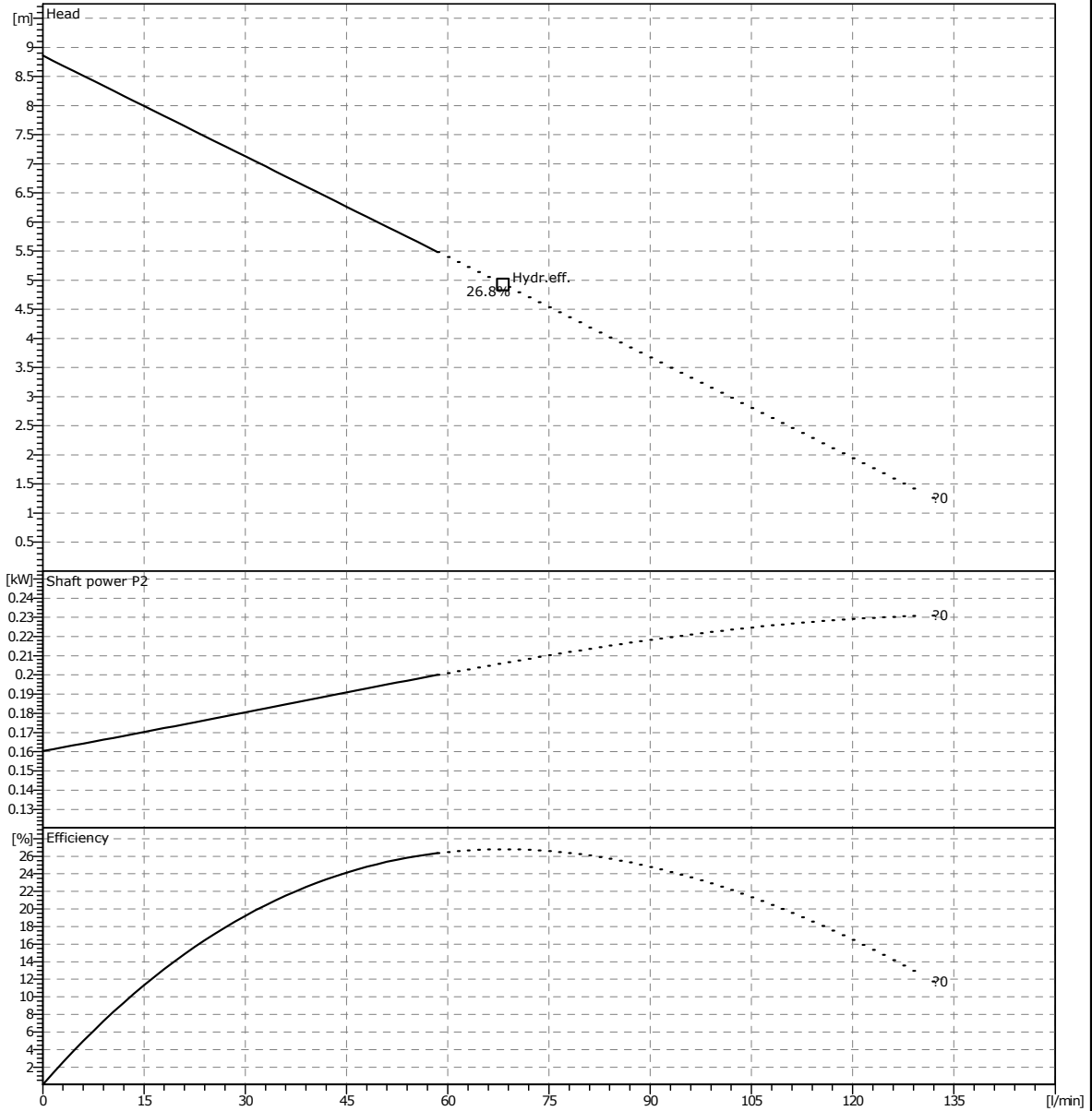
* The above data can be changed without prior notice.

Estimated Performance Curve

Sheet No.	
Customer	
Item No.	
Date	2017-07-04

SPECIFICATION

PUMP		MOTOR	
CAPACITY	0 l/min	OUTPUT	200W
TOTAL HEAD	0 m	VOLTAGE	220V
SUCTION BORE		FREQUENCY	60 Hz
DISCHARGE BORE	32 mm	SPEED	3450 1/min
LIQUID	WATER	TYPE	Induction Motor
MAKER	WILO	MAKER	WILO



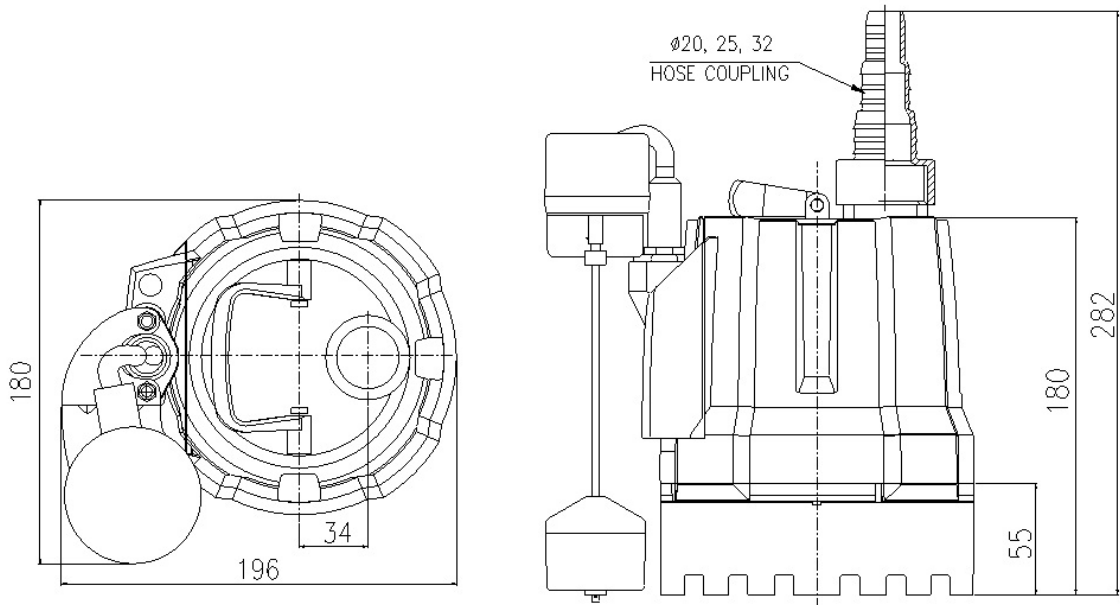
*Pump test acceptance grade in accordance with ISO 9906:2012, Grade 2B.

*Subject to change without prior notice.

TYPE	Submersible, General Drainage
MODEL	PD-200MLA
SERVICE	

Outline Drawing

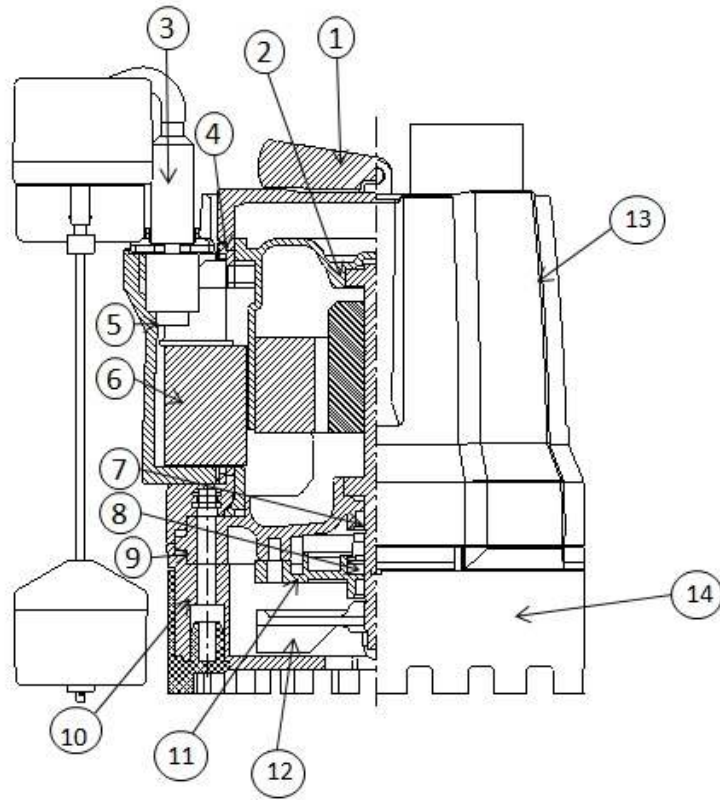
Sheet No.	
Customer	
Item No.	
Date	2017-07-04



TYPE	Submersible,General Drainage
MODEL	PD-200MLA
SERVICE	

Sectional Drawing

Sheet No.	
Customer	
Item No.	
Date	2017-07-04



NO.	PARTS NAME	MATERIALS			Q'ty (EA)	NO.	PARTS NAME	MATERIALS			Q'ty (EA)
		KS	AISI	DIN				KS	AISI	DIN	
1	HANDLE	PP	-	-	1	8	MECHANICAL SEAL	Car+Cera	-	-	1
2	MOTOR ASS'Y	-	-	-	1	9	O-RING	NBR507	-	-	2
3	CABLE ASS'Y	2PNCT	-	-	1	10	CASING	mPPO	-	-	1
4	GASKET	NBR607	-	-	1	11	OIL CASE	mPPO	-	-	1
5	TERMINAL	mPPO	-	-	1	12	IMPELLER	mPPO	-	-	1
6	CAPACITOR	-	-	-	1	13	BODY	mPPO	-	-	1
7	OIL SEAL	mPPO	-	-	2	14	BASE PAD	NBR607	-	-	1

TYPE	Submersible,General Drainage
MODEL	PD-200MLA
SERVICE	