

wilo Pump Data Sheet

Sheet No.	
Customer	
Item No.	
Date	2017-07-04

1	MODEL	PD-401MA	Title					
2	OPTION MODEL		Quantity		Set(s)			
3	Location		Agent					
4	Service		Plant Name					
5	OPERATING CONDITION							
6	Liquid Pumped	Drainage Water		Capacity	150	lpm		
7	Pumping Temp.	Winter : -5 C		Dis. Press	0.7	m		
8		Summer : 40 C		Total Head	7	m		
9	Specific Gravity	1 kgf/cm ² A		Total Head at zero point		10	m	
10	Viscosity	5 cP		Liquid pH		6.5~9	pH	
11	PERFORMANCE AND CONSTRUCTION				MATERIAL			
12	Axis Position	Vertical	C.W.L	283	mm	Part Name	Symbol	
13	Number of Stages	1	EFF. Expected		%	Shaft	SM20C+STS410	
14	Speed	3450 rpm	Rated Power	400W		Casing	GC200	
15	Rotation Viewde From Driver	CW				Impeller	GC200	
16	BORE	Size(Dia)	Rating	Facing	Position	Cable	PNCT	
17		Suction	-	-	-	-	Frame	GC150
18		Discharge	50 mm	-	-	Side	Head Cover	GC150
19	Impeller Type	Semi Open		Single Suction		Flange	GC200	
20	Flow Direction	Radial	Oil Seal	Yes		Connector	GC200	
21	Shaft Seal	M/Seal	Shaft Sleeve	Yes		Sleeve	STS316	
22	Adpater	<input type="checkbox"/> Yes <input checked="" type="checkbox"/> No	Adapter Model	N/A				
23	Discharge Type	Flange Connection						
24	Struction of Inlet	Strainer				HYDROSTATIC		
25	Struction of Outlet	Hose Coupling Flange Coupling				Casing	kgf/cm ² min	
26	Bearings	Upper : 6203ZZ	Lower : 6202ZZ		Frame	kgf/cm ² min		
27	MOTOR SPECIFICATION				TESTING			
28	Motor	Maker	WILO		(Items)		(Witness)	
29	Type	Induction Motor(Submersible Type)				Run Perform	<input checked="" type="checkbox"/> Yes <input type="checkbox"/> No <input type="checkbox"/> Yes <input checked="" type="checkbox"/> No	
30	Starting Method	LINE	Power Supply	1~	220V	Hydrostatic (Air Press.)	<input checked="" type="checkbox"/> Yes <input type="checkbox"/> No <input type="checkbox"/> Yes <input checked="" type="checkbox"/> No	
31	Pole & Speed	3450 1/min	Frequency	60 Hz		SPARE PART		
32	Output	400W	Insulation	B	Amperage	4.2A	Impeller Set(s)	
33	Protector	<input type="checkbox"/> Over Load Protector(O.L.P)		<input checked="" type="checkbox"/> Thermal Protector(T.P)		Shaft	Set(s)	
34	SEAL PART				Sleeve	Set(s)		
35	Mechanical Seal	Maker	NEK	Size	ED-560-	15	Bearing Set(s)	
36		Type	Double	Cooler Type	T-#32		Casing Set(s)	
37		Cooler	Yes	Cooler Quantity	200cc		M/Seal Set(s)	
38	ACCESSORY				Name Plate	Set(s)		
39	<input type="checkbox"/> Companion Flanges					Set(s)		
40	<input type="checkbox"/> Chain					Set(s)		
41	<input checked="" type="checkbox"/> Hose Coupling <input checked="" type="checkbox"/> Flange Coupling					Set(s)		
42	<input type="checkbox"/> Foundation Bolts & Nuts				WEIGHT			
43	<input type="checkbox"/> Guide Pipe				Pump	22 kg		
44	<input type="checkbox"/> Special Tool				Adapter	-		
45	<input type="checkbox"/> Spare Parts				Total Wt.	22 kg		

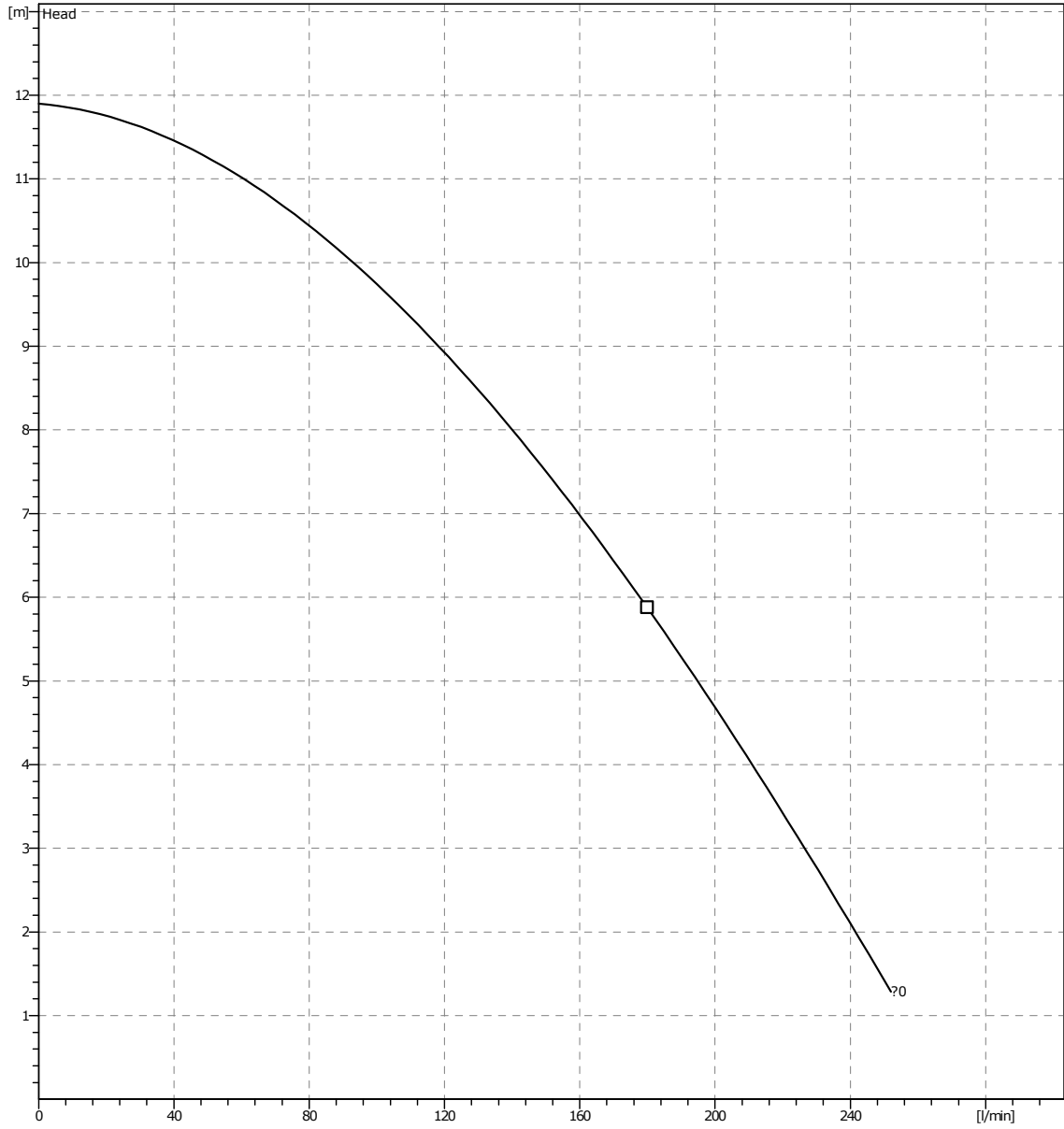
Remark
* Protector does not supply in 50Hz.

* The above data can be changed without prior notice.

Estimated Performance Curve

Sheet No.	
Customer	
Item No.	
Date	2017-07-04

SPECIFICATION			
PUMP	CAPACITY	0 l/min	MOTOR
	TOTAL HEAD	0 m	
	SUCTION BORE		
	DISCHARGE BORE	50 mm	
	LIQUID	WATER	
	MAKER	WILO	
	OUTPUT	400W	
VOLTAGE	220V		
FREQUENCY	60 Hz		
SPEED	3450 1/min		
TYPE	Induction Motor		
MAKER	WILO		



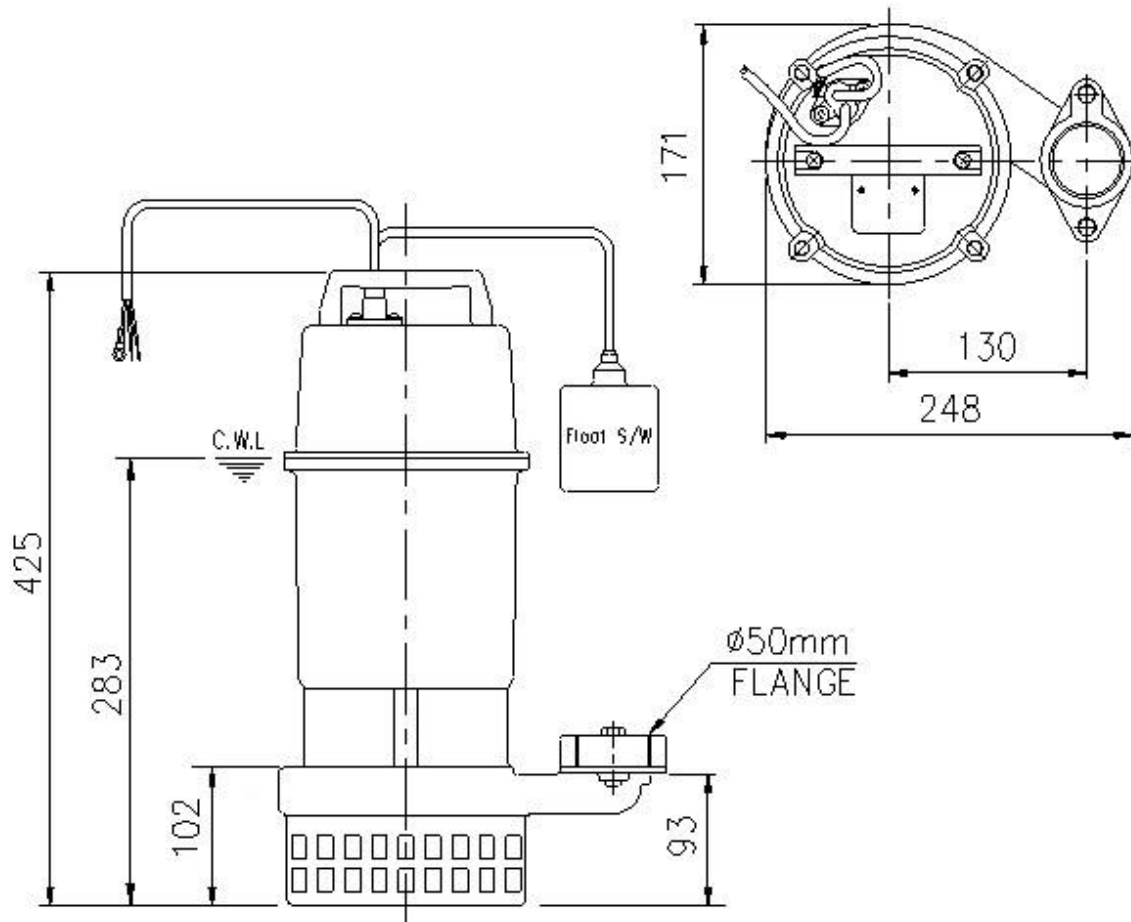
*Pump test acceptance grade in accordance with ISO 9906:2012, Grade 2B.

*Subject to change without prior notice.

TYPE	Submersible, General Drainage
MODEL	PD-401MA
SERVICE	

Outline Drawing

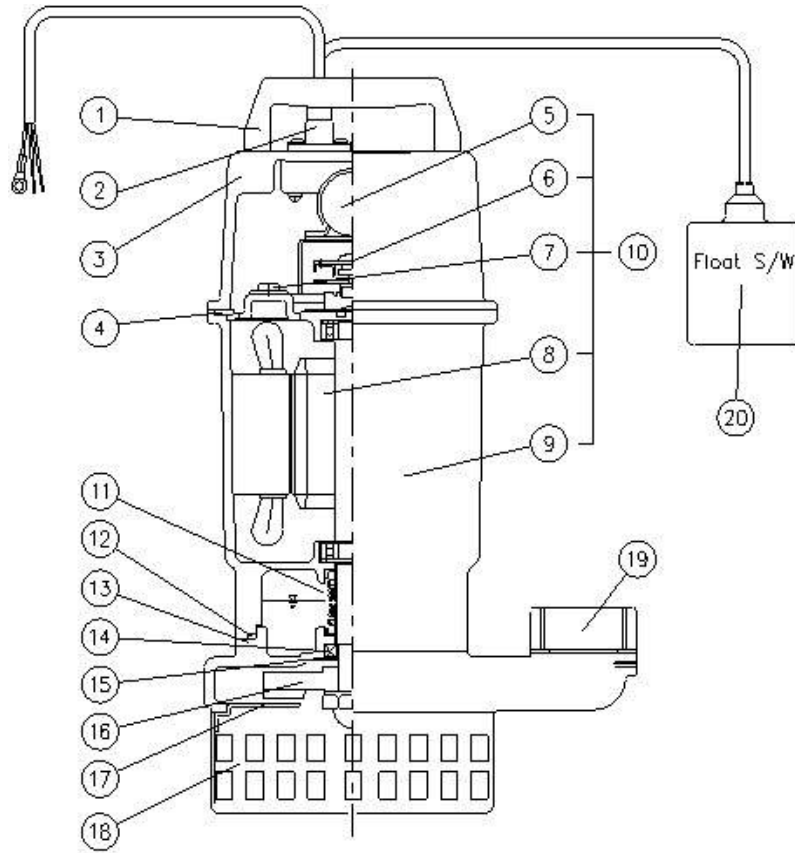
Sheet No.	
Customer	
Item No.	
Date	2017-07-04



TYPE	Submersible,General Drainage
MODEL	PD-401MA
SERVICE	

Sectional Drawing

Sheet No.	
Customer	
Item No.	
Date	2017-07-04



NO.	PARTS NAME	MATERIALS			Q'ty (EA)	NO.	PARTS NAME	MATERIALS			Q'ty (EA)
		KS	AISI	DIN				KS	AISI	DIN	
1	HANDLE	ABS	-	-	1	11	MECHANICAL SEAL	SiC+SiC	-	-	1
2	CABLE ASS'Y	2PNCT	-	-	1	12	O-RING	NBR710	-	-	1
3	HEAD COVER	GC150	Class IIo 2b	GG15	1	13	CASING	GC150	Class IIo 2b	GG15	1
4	O-RING	-	-	-	1	14	OIL SEAL	NBR709	-	-	1
5	CAPACITOR	-	-	-	1	15	SLEEVE	STS316	-	-	1
6	SWITCH ASS'Y	-	-	-	1	16	IMPELLER	GC200	Class IIo 50	GG20	1
7	O.L.P	-	-	-	1	17	SUCTION COVER	SCP1	-	-	1
8	ROTOR ASS'Y	-	-	-	1	18	STARAINER	SCP1	-	-	1
9	FRAME ASS'Y	-	-	-	1	19	FLANGE	GC200	-	-	1
10	MOTOR ASS'Y	-	-	-	1	20	FLOAT SWITCH	-	-	-	1

TYPE	Submersible,General Drainage
MODEL	PD-401MA
SERVICE	