

wilo Pump Data Sheet

Sheet No.	
Customer	
Item No.	
Date	2017-07-04

1	MODEL	PD-751MA			Title				
2	OPTION MODEL				Quantity		Set(s)		
3	Location				Agent				
4	Service				Plant Name				
5	OPERATING CONDITION								
6	Liquid Pumped	Drainage Water			Capacity	250 lpm			
7	Pumping Temp.	Winter : -5 C			Dis. Press	0.7 m			
8		Summer : 40 C			Total Head	7 m			
9	Specific Gravity	1 kgf/cm ² A			Total Head at zero point		13 m		
10	Viscosity	5 cP			Liquid pH		6.5~9 pH		
11	PERFORMANCE AND CONSTRUCTION					MATERIAL			
12	Axis Position	Vertical		C.W.L	298 mm		Part Name	Symbol	
13	Number of Stages	1		EFF. Expected	%		Shaft	SM20C+STS410	
14	Speed	3450 rpm		Rated Power	950W		Casing	GC200	
15	Rotation Viewed From Driver	CW					Impeller	GC200	
16	BORE	Size(Dia)	Rating	Facing	Position		Cable	PNCT	
17		Suction	-	-	-		Frame	GC150	
18		Discharge	50 mm	-	-		Head Cover	GC150	
19	Impeller Type	Semi Open			Single Suction		Flange	GC200	
20	Flow Direction	Radial		Oil Seal	Yes		Connector	GC200	
21	Shaft Seal	M/Seal		Shaft Sleeve	Yes		Sleeve	STS316	
22	Adapter	<input type="checkbox"/> Yes	<input checked="" type="checkbox"/> No	Adapter Model	N/A				
23	Discharge Type	Flange Connection							
24	Struction of Inlet	Strainer					HYDROSTATIC		
25	Struction of Outlet	Hose Coupling Flange Coupling				Casing	kgf/cm ²	min	
26	Bearings	Upper : 6202zz		Lower : 6203zz		Frame	kgf/cm ²	min	
27	MOTOR SPECIFICATION					TESTING			
28	Motor	Maker	WILO			(Items)		(Witness)	
29	Type	Induction Motor(Submersible Type)				Run Perform	<input checked="" type="checkbox"/> Yes <input type="checkbox"/> No	<input type="checkbox"/> Yes <input checked="" type="checkbox"/> No	
30	Starting Method	LINE	Power Supply	1~ 220V		Hydrostatic (Air Press.)	<input checked="" type="checkbox"/> Yes <input type="checkbox"/> No	<input type="checkbox"/> Yes <input checked="" type="checkbox"/> No	
31	Pole & Speed	3450 1/min	Frequency	60 Hz		SPARE PART			
32	Output	950W	Insulation	B	Amperage	7.2A	Impeller	Set(s)	
33	Protector	<input type="checkbox"/> Over Load Protector(O.L.P)		<input checked="" type="checkbox"/> Thermal Protector(T.P)		Shaft		Set(s)	
34	SEAL PART					Sleeve		Set(s)	
35	Mechanical Seal	Maker	NEK	Size	ED-560- 15		Bearing	Set(s)	
36		Type	Double	Cooler Type	T-#32		Casing	Set(s)	
37		Cooler	Yes	Cooler Quantity	200cc		M/Seal	Set(s)	
38	ACCESSORY					Name Plate		Set(s)	
39	<input type="checkbox"/> Companion Flanges							Set(s)	
40	<input type="checkbox"/> Chain							Set(s)	
41	<input checked="" type="checkbox"/> Hose Coupling <input checked="" type="checkbox"/> Flange Coupling							Set(s)	
42	<input type="checkbox"/> Foundation Bolts & Nuts					WEIGHT			
43	<input type="checkbox"/> Guide Pipe					Pump	25 kg		
44	<input type="checkbox"/> Special Tool					Adapter	-		
45	<input type="checkbox"/> Spare Parts					Total Wt.	25 kg		

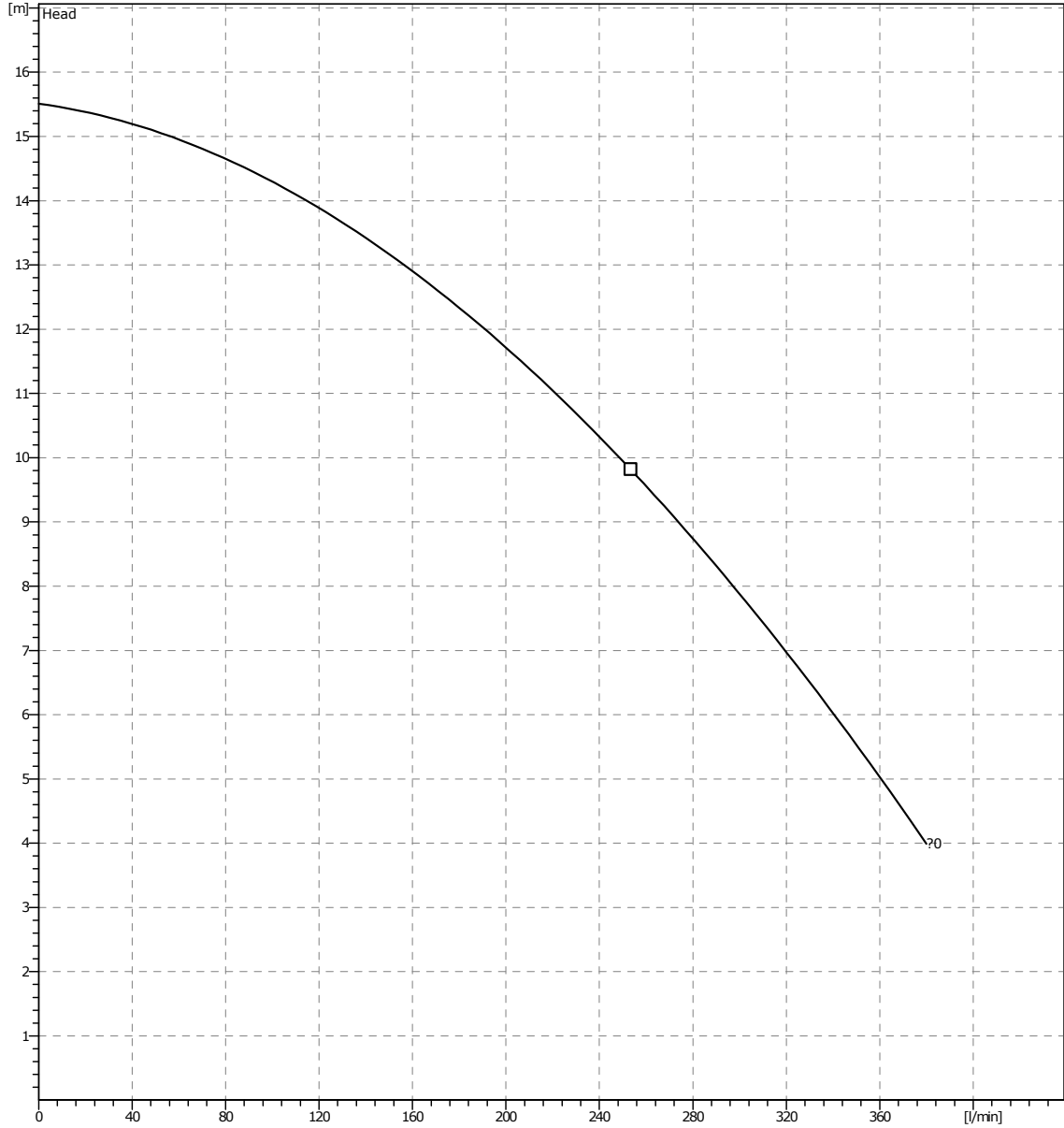
Remark
* Protector does not supply in 50Hz.

* The above data can be changed without prior notice.

Estimated Performance Curve

Sheet No.	
Customer	
Item No.	
Date	2017-07-04

SPECIFICATION			
PUMP	CAPACITY	0 l/min	MOTOR
	TOTAL HEAD	0 m	
	SUCTION BORE		
	DISCHARGE BORE	50 mm	
	LIQUID	WATER	
	MAKER	WILO	
	OUTPUT	950W	
VOLTAGE	220V		
FREQUENCY	60 Hz		
SPEED	3450 1/min		
TYPE	Induction Motor		
MAKER	WILO		



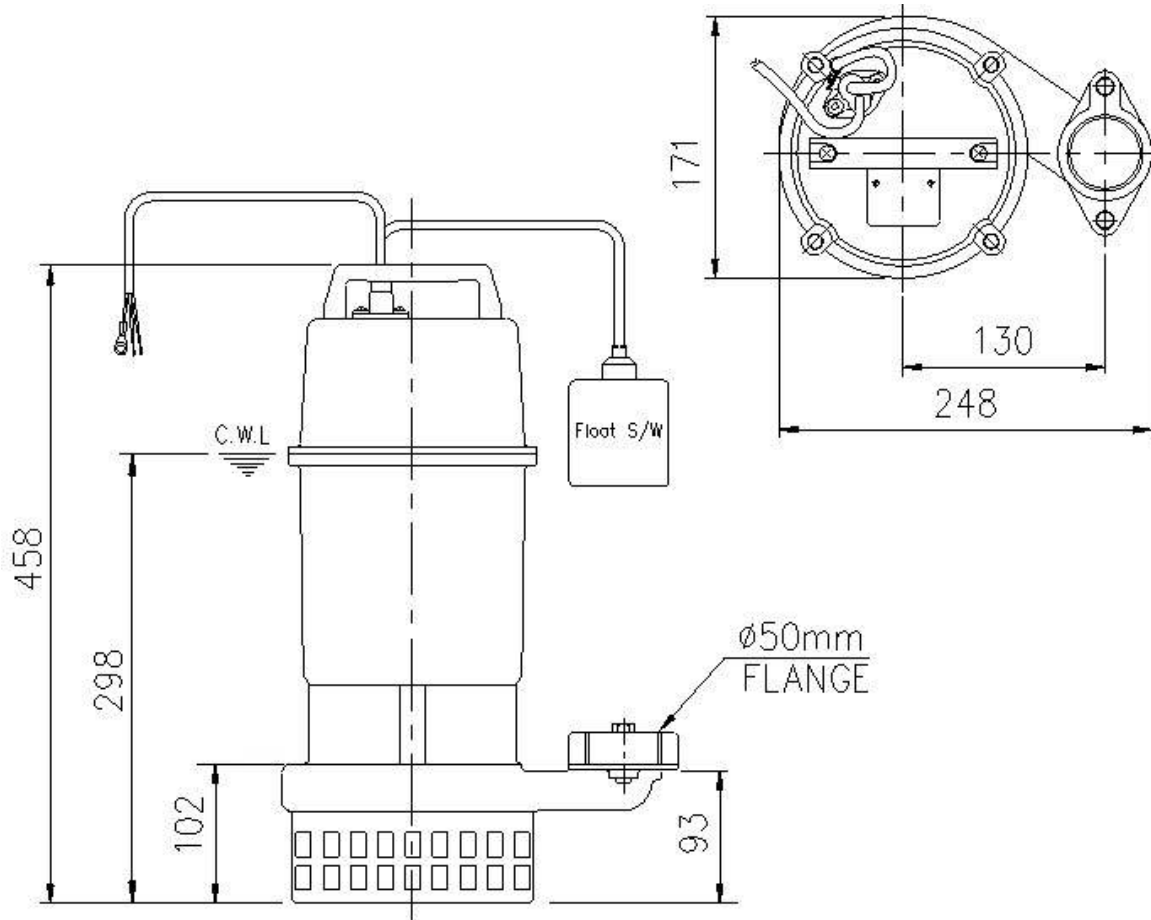
*Pump test acceptance grade in accordance with ISO 9906:2012, Grade 2B.

*Subject to change without prior notice.

TYPE	Submersible, General Drainage
MODEL	PD-751MA
SERVICE	

Outline Drawing

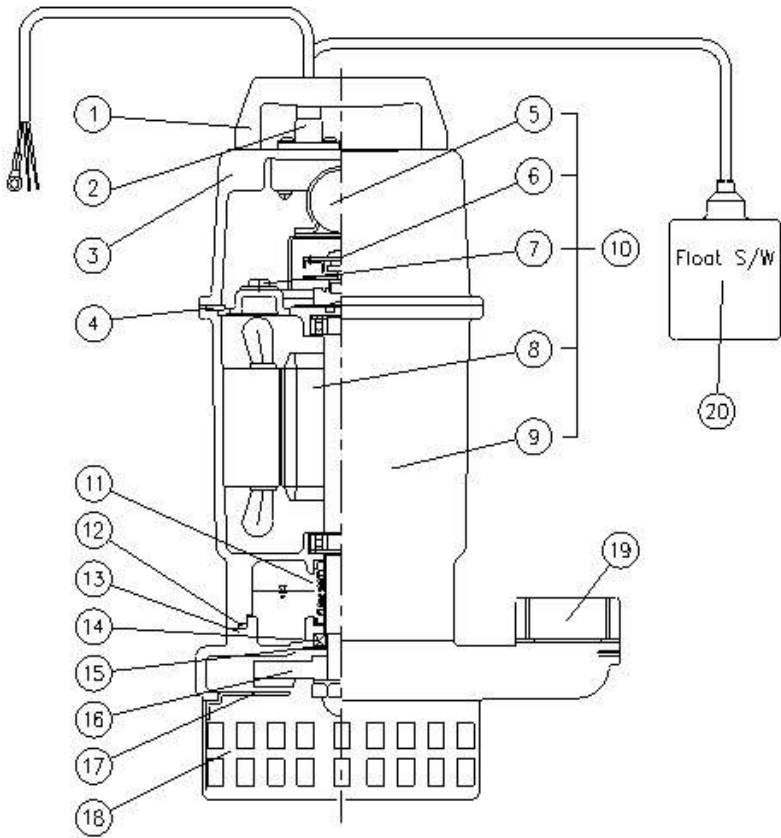
Sheet No.	
Customer	
Item No.	
Date	2017-07-04



TYPE	Submersible, General Drainage
MODEL	PD-751MA
SERVICE	

Sectional Drawing

Sheet No.	
Customer	
Item No.	
Date	2017-07-04



No.	Part Name	Material	Q'ty
1	Handle	SCP	1
2	Cable Ass'y	PNCT	1
3	Head Cover	GC150	1
4	O-ring	-	1
5	Capacitor	-	1
6	Switch Ass'y	-	1
7	O.L.P	-	1
8	Rotor Ass'y	-	1
9	Frame Ass'y	-	1
10	Motor Ass'y	-	1

No.	Part Name	Material	Q'ty
11	Mechanical Seal	SiC+SiC	1
12	O-ring	NBR710	1
13	Casing	GC150	1
14	Oil Seal	NBR709	1
15	Sleeve	STS316	1
16	Impeller	GC200	1
17	Suction Cover	SCP1	1
18	Strainer	SCP1	1
19	Flange	GC200	1

TYPE	Submersible,General Drainage
MODEL	PD-751MA
SERVICE	