

wilo Pump Data Sheet

Sheet No.	
Customer	
Item No.	
Date	2017-07-04

1	MODEL	PD-A401MA			Title			
2	OPTION MODEL				Quantity		Set(s)	
3	Location				Agent			
4	Service				Plant Name			
5	OPERATING CONDITION							
6	Liquid Pumped	Drainage Water			Capacity	180		
7	Pumping Temp.	Winter : -5 C			Dis. Press			
8		Summer : 40 C			Total Head	7		
9	Specific Gravity	1 kgf/cm ² A			Total Head at zero point		10 m	
10	Viscosity	5 cP			Liquid pH		6.5~9 pH	
11	PERFORMANCE AND CONSTRUCTION					MATERIAL		
12	Axis Position	Vertical		C.W.L	273 mm	Part Name	Symbol	
13	Number of Stages	1		EFF. Expected	%	Impeller	PBT	
14	Speed	3450 rpm		Rated Power	600W	Shaft	SM20C+STS316L	
15	Rotation Viewde From Driver	CW			Casing	PP		
16	BORE	Size(Dia)	Rating	Facing	Position	Frame	STS304	
17		Suction	-	-	-	Head Cover	PP	
18		Discharge	50 mm	-	-	Side	Cable	PNCT
19	Impeller Type	Semi Open			Single Suction	Flange	PBT	
20	Flow Direction	Radial		Oil Seal	Yes	Cover,Casing	PP	
21	Shaft Seal	M/Seal		Shaft Sleeve	No	Bolt	STS304	
22	Adpater	<input type="checkbox"/> Yes	<input checked="" type="checkbox"/> No	Adapter Model	N/A			
23	Discharge Type	Flange Connection						
24	Struction of Inlet	Strainer			HYDROSTATIC			
25	Struction of Outlet	Hose Coupling Flange Coupling			Casing	kgf/cm ²	min	
26	Bearings	Upper : 6202zz		Lower : 6302zz	Frame	kgf/cm ²	min	
27	MOTOR SPECIFICATION					TESTING		
28	Motor	Maker	WILO			(Items)	(Witness)	
29	Type	Induction Motor(Submersible Type)			Run Perform	<input checked="" type="checkbox"/> Yes <input type="checkbox"/> No	<input type="checkbox"/> Yes <input checked="" type="checkbox"/> No	
30	Starting Method	LINE	Power Supply	1~ 220V	Hydrostatic (Air Press.)	<input checked="" type="checkbox"/> Yes <input type="checkbox"/> No	<input type="checkbox"/> Yes <input checked="" type="checkbox"/> No	
31	Pole & Speed	3450 1/min	Frequency	60 Hz	SPARE PART			
32	Output	600W	Insulation	B Amperage 4.2A	Impeller	Set(s)		
33	Protector	<input type="checkbox"/> Over Load Protector(O.L.P)		<input checked="" type="checkbox"/> Thermal Protector(T.P)	Shaft	Set(s)		
34	SEAL PART					Sleeve	Set(s)	
35	Mechanical Seal	Maker	Bergmann	Size	15	Bearing	Set(s)	
36		Type	Double	Cooler Type	T-#32	Casing	Set(s)	
37		Cooler	Yes	Cooler Quantity	410cc	M/Seal	Set(s)	
38	ACCESSORY					Name Plate	Set(s)	
39	<input type="checkbox"/> Companion Flanges					Set(s)		
40	<input type="checkbox"/> Chain					Set(s)		
41	<input checked="" type="checkbox"/> Hose Coupling <input checked="" type="checkbox"/> Flange Coupling					Set(s)		
42	<input type="checkbox"/> Foundation Bolts & Nuts					WEIGHT		
43	<input type="checkbox"/> Guide Pipe					Pump	13 kg	
44	<input type="checkbox"/> Special Tool					Adapter	-	
45	<input type="checkbox"/> Spare Parts					Total Wt.	13 kg	

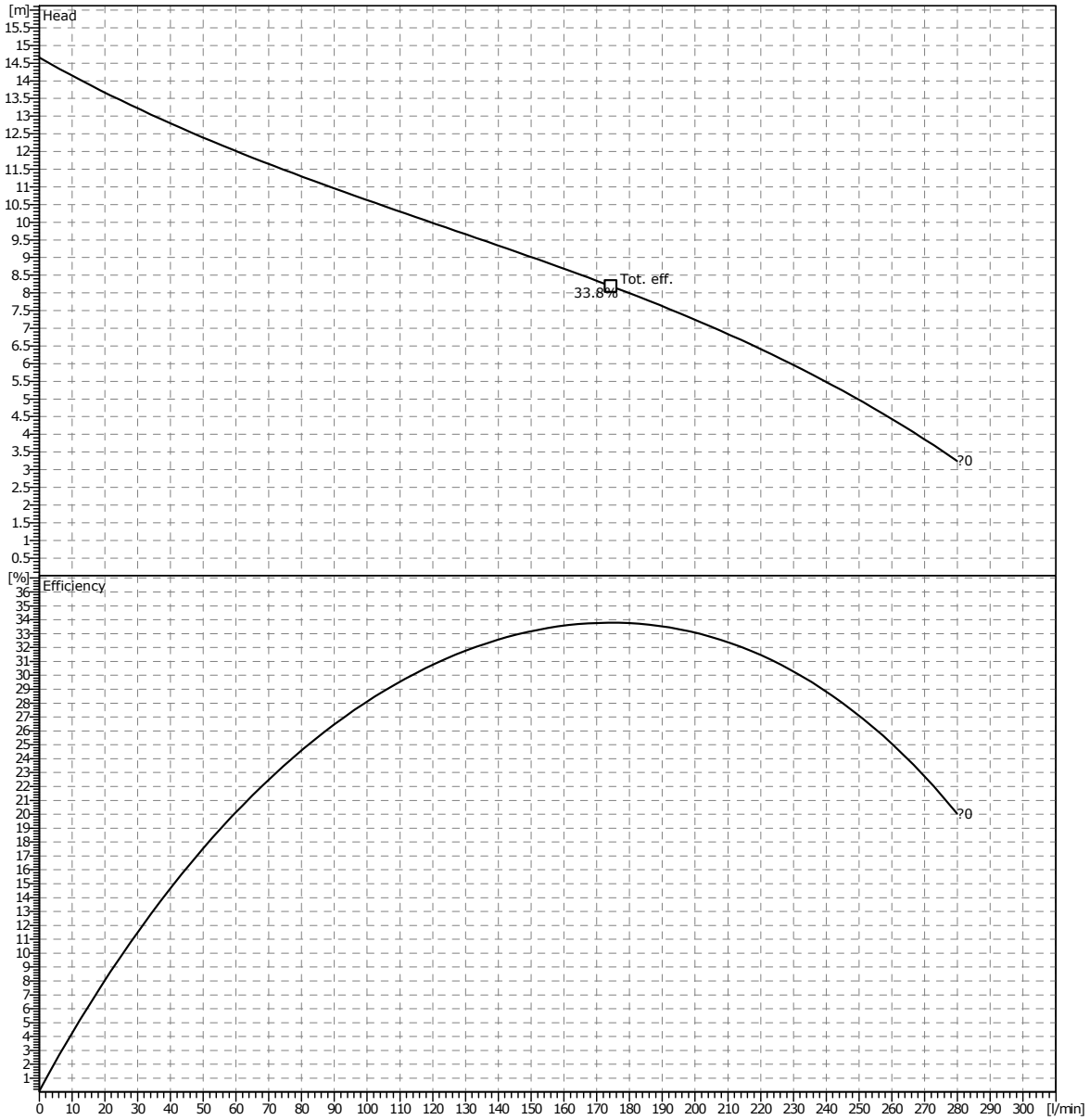
Remark
* Protector does not supply in 50Hz.

* The above data can be changed without prior notice.

Estimated Performance Curve

Sheet No.	
Customer	
Item No.	
Date	2017-07-04

SPECIFICATION			
PUMP	CAPACITY	0 l/min	MOTOR
	TOTAL HEAD	0 m	
	SUCTION BORE		
	DISCHARGE BORE	50 mm	
	LIQUID	WATER	
	MAKER	WILO	
OUTPUT	600W		
VOLTAGE	220V		
FREQUENCY	60 Hz		
SPEED	3450 1/min		
TYPE	Induction Motor		
MAKER	WILO		



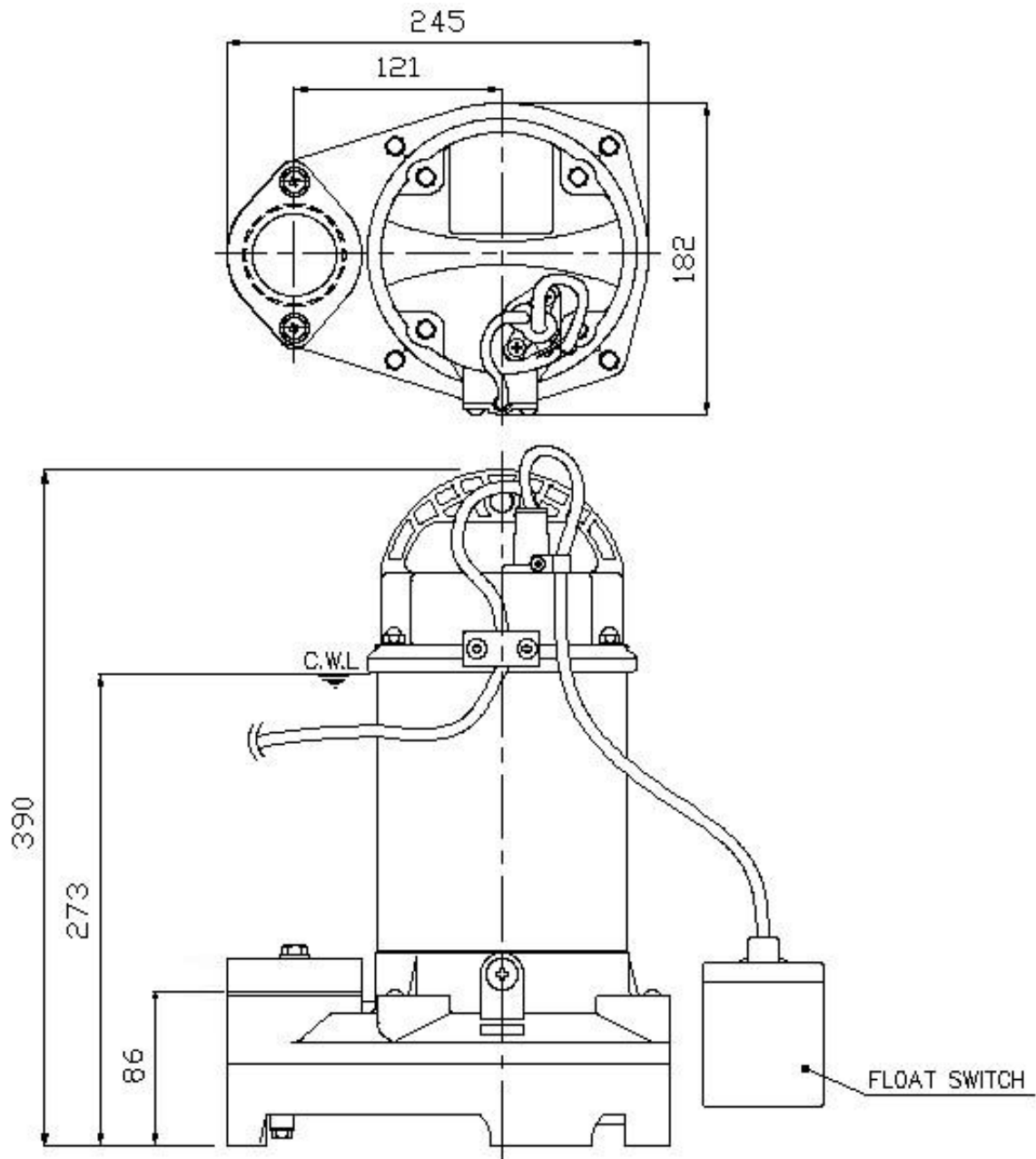
*Pump test acceptance grade in accordance with ISO 9906:2012, Grade 2B.

*Subject to change without prior notice.

TYPE	Submersible, General Drainage
MODEL	PD-A401MA
SERVICE	

Outline Drawing

Sheet No.	
Customer	
Item No.	
Date	2017-07-04



TYPE	Submersible,General Drainage
MODEL	PD-A401MA
SERVICE	

Sectional Drawing

Sheet No.	
Customer	
Item No.	
Date	2017-07-04

TYPE	Submersible,General Drainage
MODEL	PD-A401MA
SERVICE	