

wilo Pump Data Sheet

Sheet No.	
Customer	
Item No.	
Date	2017-03-28

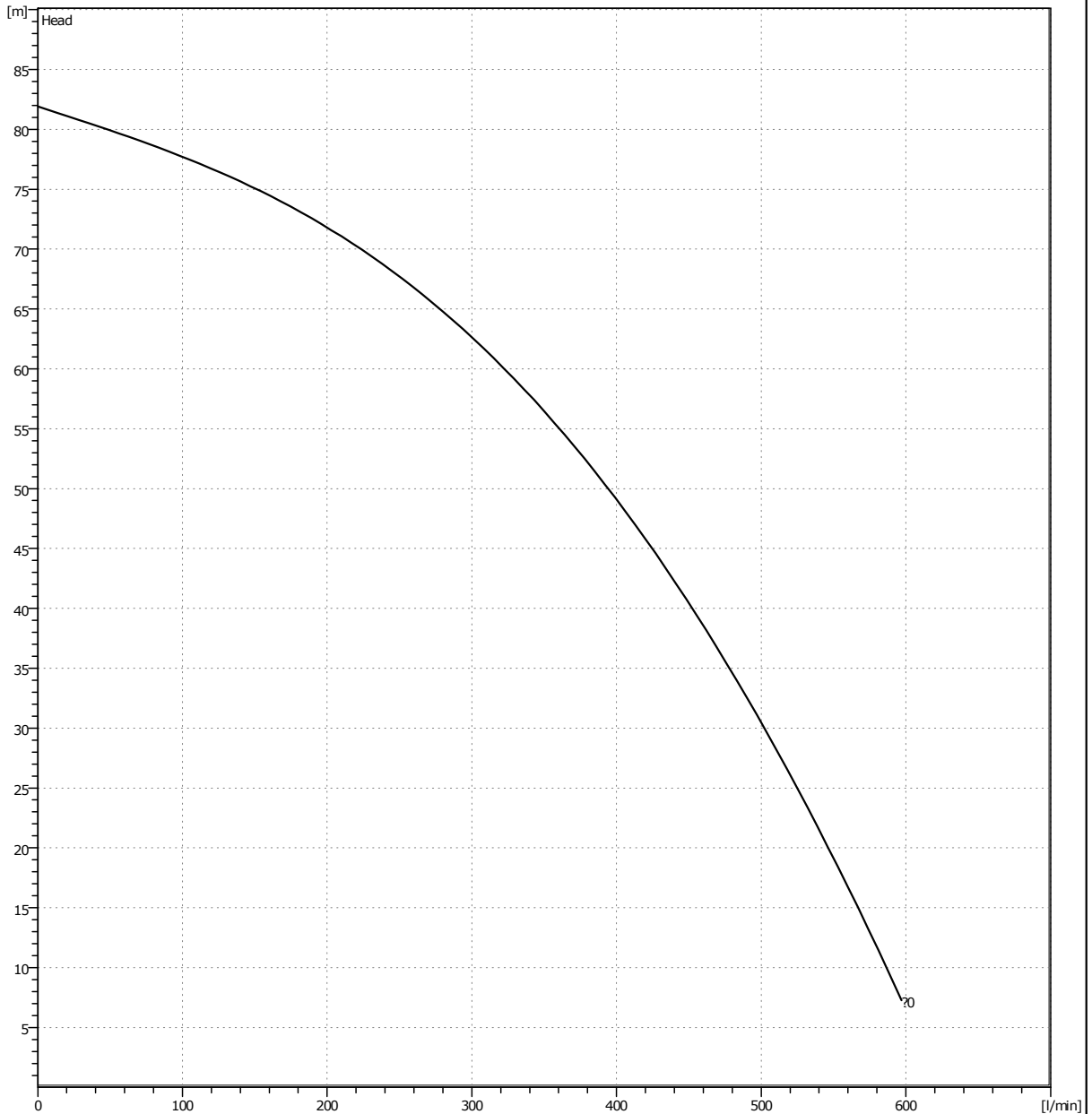
1	Model	PBI-T805UA		Title		
2	Location			Agent		
3	Service			Plant Name		
4	Quantity	Set(s)		Installation	<input checked="" type="checkbox"/> Indoor	<input type="checkbox"/> Outdoor
5	OPERATING CONDITION					
6	Liquid	Water		Capacity	390	lpm
7	Pumping Temp.	AMB		Suct. Head	-	m
8	S.G	1		Disch. Head	60	m
9	Vap. Pressure	1kg/cm2A		Total head	60	m
10	Viscosity	1 cp				
11	PERFORMANCE AND CONSTRUCTIONS				MATERIAL	
12	Horizontal		Efficiency	0	%	Parts' Name
13	No. of Stages	5	Rated Power	3kW x 3		Symbol
14	Speed	3450rpm	NPSHre			Pump
15	Rotation	CCW	(view from drive end)			Bed
16	Bore	Size(Dia)	Rating	Face	Position	Valve & etc.
17	Suction	80 mm	10 kgf/cm2	<input type="checkbox"/> FF <input type="checkbox"/> RF	-	STS304
18	Discharge	80 mm	10 kgf/cm2	<input type="checkbox"/> FF <input type="checkbox"/> RF	-	
19	Impeller Type	Closed	Single suction		HYDROSTATIC	
20	Flow Direction	Radial			Casing	10 kgf/cm2
21	Shaft Seal	M/Seal	Shaft Sleeve	No	3 min	
22	Mounting	Bracket			TESTING	
23	Lubrication	<input type="checkbox"/> Grease	<input type="checkbox"/> Oil Bath		Items	(Witness)
24	Cooling	<input type="checkbox"/> Stuff.Box <input type="checkbox"/> B/R Housing <input type="checkbox"/> No Cooling			Run Perform.	<input checked="" type="checkbox"/> Yes <input type="checkbox"/> No
25	Pump Side	6305	Fan Side	6205	Hydrostatic	<input checked="" type="checkbox"/> Yes <input type="checkbox"/> No
26	DRIVER SPECIFICATION				SPARE PARTS	
27	Maker	WILO	Phase / V / Hz	3~ 380V	~ 60Hz	Set(s)
28	Type	Induction Motor	Motor Frame No.			Set(s)
29	Power	3kW x 3	Furnished by	<input checked="" type="checkbox"/> WILO	<input type="checkbox"/> Customer	Set(s)
30	Pole & Speed	2p 3450rpm	Mounted by	<input checked="" type="checkbox"/> WILO	<input type="checkbox"/> Customer	Set(s)
31	Insulation	F	Protection	IP X4		Set(s)
32	ACCESSORIES(<input checked="" type="checkbox"/>Supplied : WILO)				Set(s)	
33	<input type="checkbox"/> Common Base				Set(s)	
34	<input type="checkbox"/> Foundation Bolts & Nuts				Set(s)	
35	<input type="checkbox"/> Coupling	No		<input type="checkbox"/> Coupling Guard		Set(s)
36	<input type="checkbox"/> Pressure Gauge				Set(s)	
37	<input type="checkbox"/> Collar or Plug for Drain & Air vent.				Set(s)	
38	<input type="checkbox"/> Seal Flushing				Set(s)	
39	M/Seal	Maker	Burgmann	Model & Size	14	Set(s)
40		Type	MG12/14	Cooler	<input type="checkbox"/> Yes <input checked="" type="checkbox"/> No	Set(s)
41					Set(s)	
42	<input type="checkbox"/> Companion Flanges				Weight	
43	<input type="checkbox"/> Special Tool					
44						
45					Total Wt.	210 kg

Estimated Performance Curve

Sheet No.	
Customer	
Item No.	
Date	2017-03-28

SPECIFICATION

PUMP	Capacity	390 lpm at	m	MOTOR	OUTPUT	3kW x 3
	Total Head	60	m		VOLTAGE	380V
	SUCTION BORE	80	mm		FREQUENCY	60 Hz
	DISCHARGE BORE	80	mm		SPEED	3450 1/min
	LIQUID	WATER			TYPE	
	MAKER	WILO			MAKER	WILO



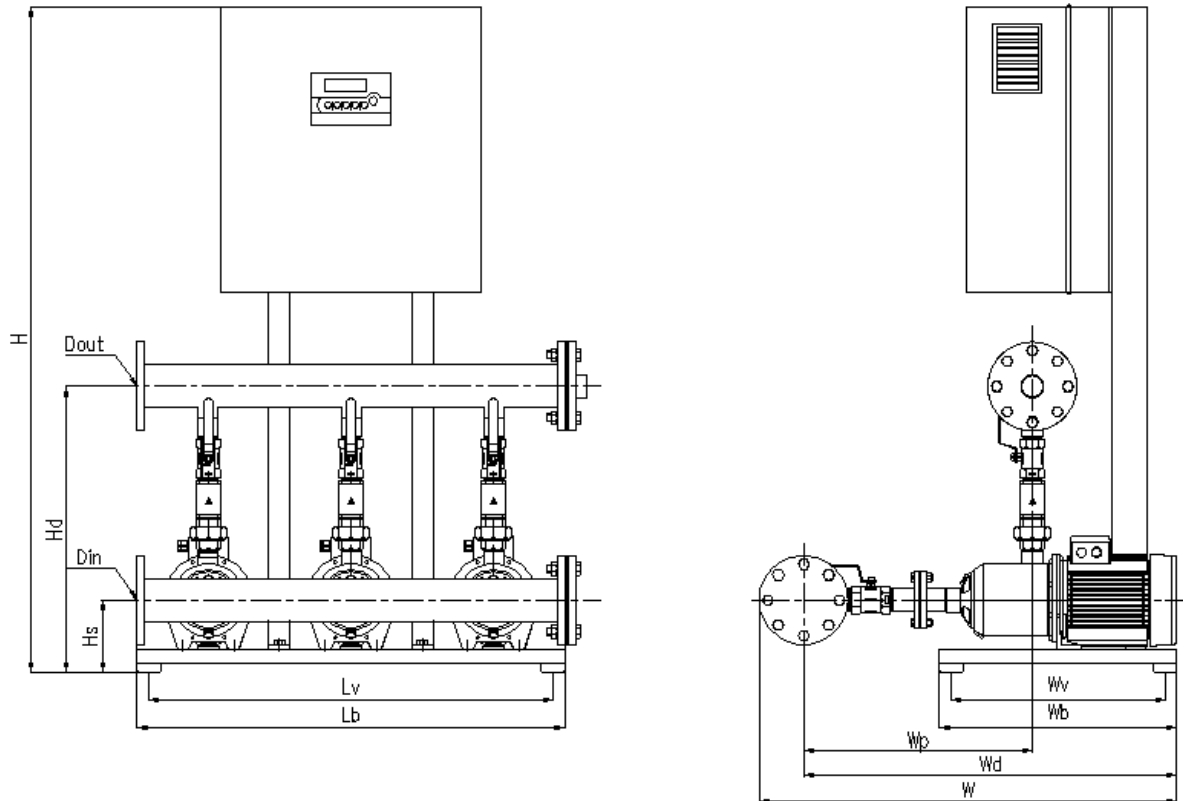
*Performance curve of some models is subject to have 10% deviation.

*Subject to change without prior notice.

TYPE	Multi Stage Horizontal
MODEL	PBI-T805UA
SERVICE	

Outline Drawing

Sheet No.	
Customer	
Item No.	
Date	2017-03-28

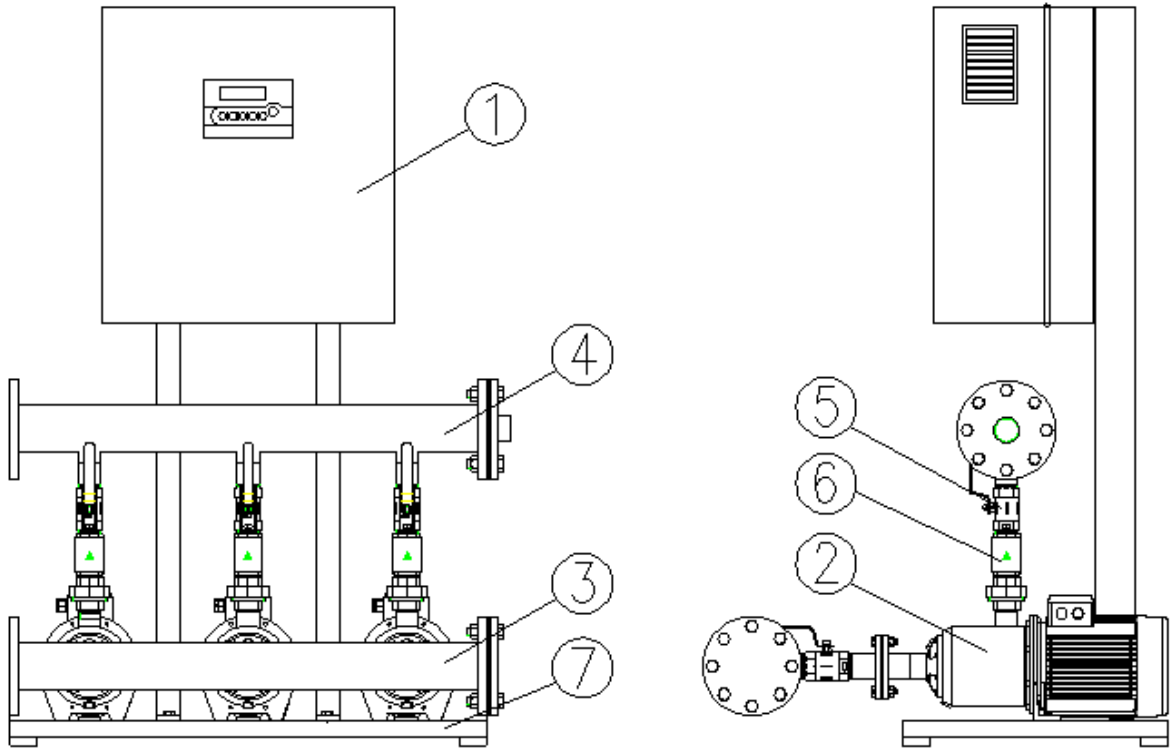


MODEL	DIMENSIONS(mm)											
	H	Hs	Hd	Lv	Lb	Wv	Wb	Wp	Wd	W	Din	Dout
PBI-T406UA	1400	152.5	570	850	900	450	500	470	770	857	65A	65A
PBI-T804UA	1400	152.5	600	850	900	450	500	485	785	877	80A	80A
PBI-T805UA	1400	152.5	600	850	900	450	500	485	785	877	80A	80A

TYPE	Multi Stage Horizontal
MODEL	PBI-T805UA
SERVICE	

Sectional Drawing

Sheet No.	
Customer	
Item No.	
Date	2017-03-28



No.	Part Name	Material	Q'ty
1	Control Assy	SCP1	1
2	Horizontal Pump(MHI)	STS304	3
3	Manifold Suctin	STS304TP	1
4	Manifold Discharge	STS304TP	1
5	Ball Valve	SSC13	6
6	Check Valve	SSC13	3
7	Bed	SS400	1

TYPE	Muiti Stage Horizontal
MODEL	PBI-T805UA
SERVICE	